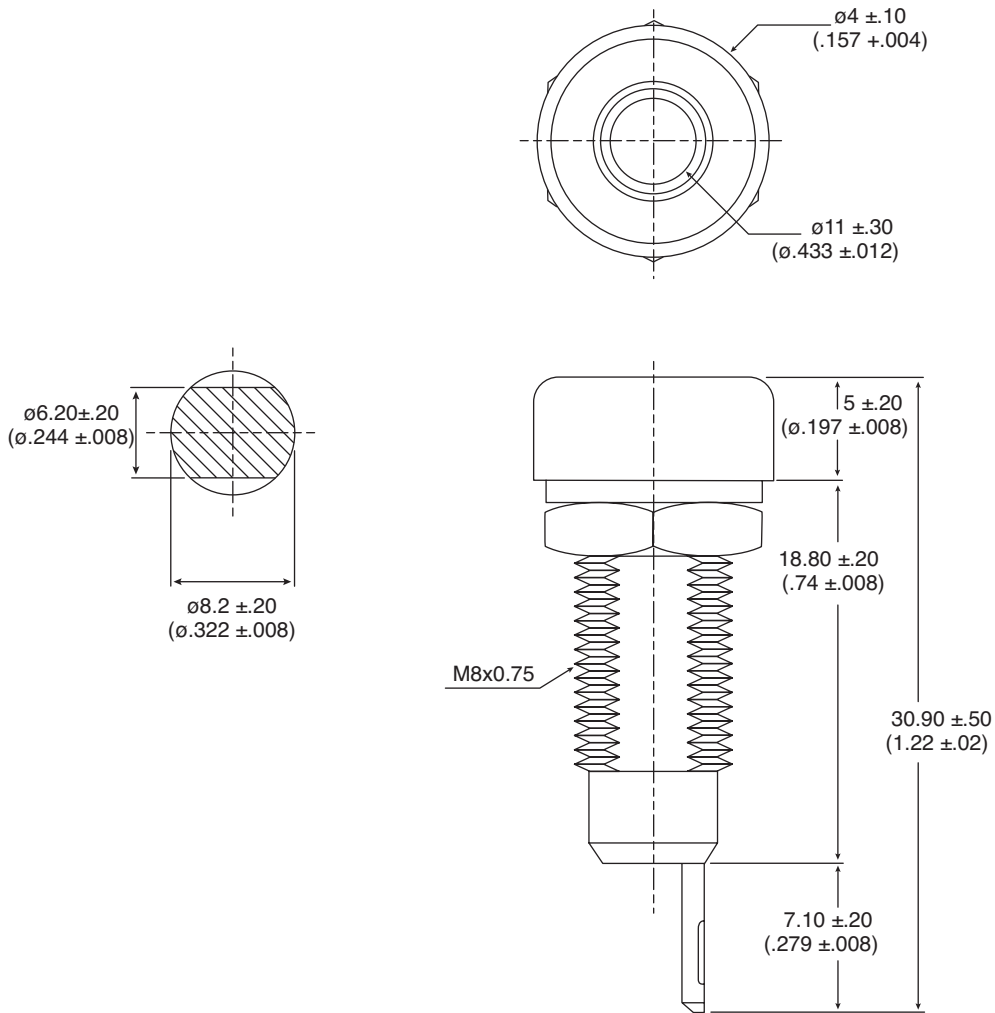


Banana Plugs

164-R122R-EX, 164-R122B-EX



Banana Plugs



Dimensions: mm (in.)

Mouser Stock No.	Color
164-R122B-EX	Black
164-R122R-EX	Red

SPECIFICATIONS	
Rating:	10A / 125V AC
Insulator Resistance:	500V DC 100MΩ min.
Voltage Breakdown:	1000V AC 1 minute
Temperature Range:	-10° to +80°C
RoHS Compliant by Exemption	

MATERIAL	
Insulation:	Nylon UL 94V-2
Metal:	Nickel plated brass
Panel Thickness:	.5 - 10mm

Date Last Revised: 03/06/07

Available from Mouser Electronics
1-800-346-6873 / www.mouser.com

KC-301094

Specifications are subject to change without notice. No liability or warranty implied by this information. Environmental compliance based on producer documentation.

164-R122R-EX, 164-R122B-EX