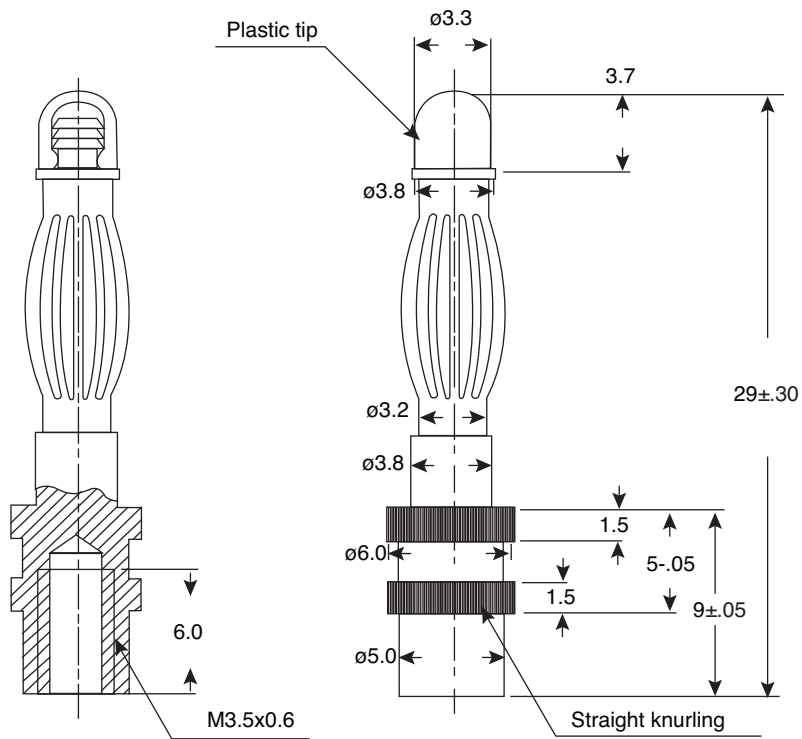


Banana Plug 4.0mm

174-R8120-EX



Banana Plugs



Dimensions: mm

SPECIFICATIONS	
Rating:	30A
Operation temperature:	-20°C ~ +65°C
Material:	Bras + Nickel plated heat treated beryllian copper
Tip:	Nylon
Fits ø4mm standard Banana Jack	
RoHS Compliant by Exemption	

Date Last Revised: 5-15-09

Available from Mouser Electronics
1-800-346-6873 / www.mouser.com

KC-301266

174-R8120-EX

Specifications are subject to change without notice. No liability or warranty implied by this information. Environmental compliance based on producer documentation.