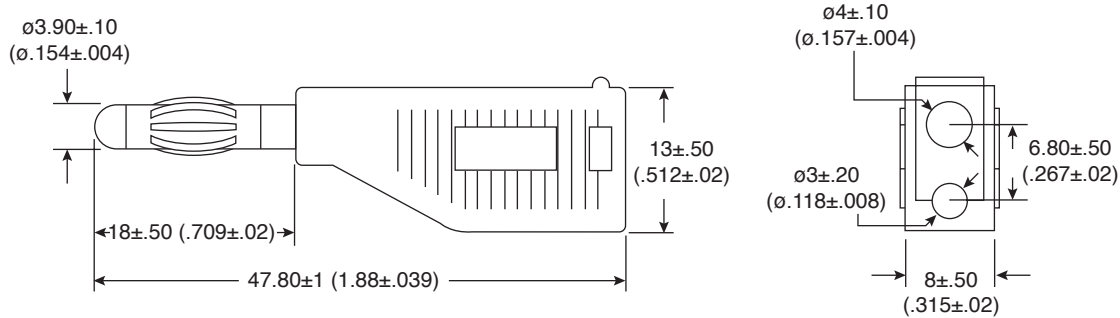


# Banana Plugs

174-R819B-EX, 174-R819R-EX



Banana Plugs



Dimensions: mm (in.)

Mouser Stock No.	Color
174-R819B-EX	Black
174-R819R-EX	Red

Specifications	
Rating:	10A
Insulation Resistance:	500VDC 100MΩ Min.
Dielectric Strength:	1500VAC 1 Minute
Temperature Range:	-20°C ~ +80°C
RoHS Compliant by Exemption	

Materials	
Plug:	Nickel Plated Heat Treated Beryllium Copper
Handle:	PVC

Date Last Revised: 3-6-07

Available from Mouser Electronics  
1-800-346-6873 / [www.mouser.com](http://www.mouser.com)

KC-301111

Specifications are subject to change without notice. No liability or warranty implied by this information. Environmental compliance based on producer documentation.

174-R819B-EX, 174-R819R-EX