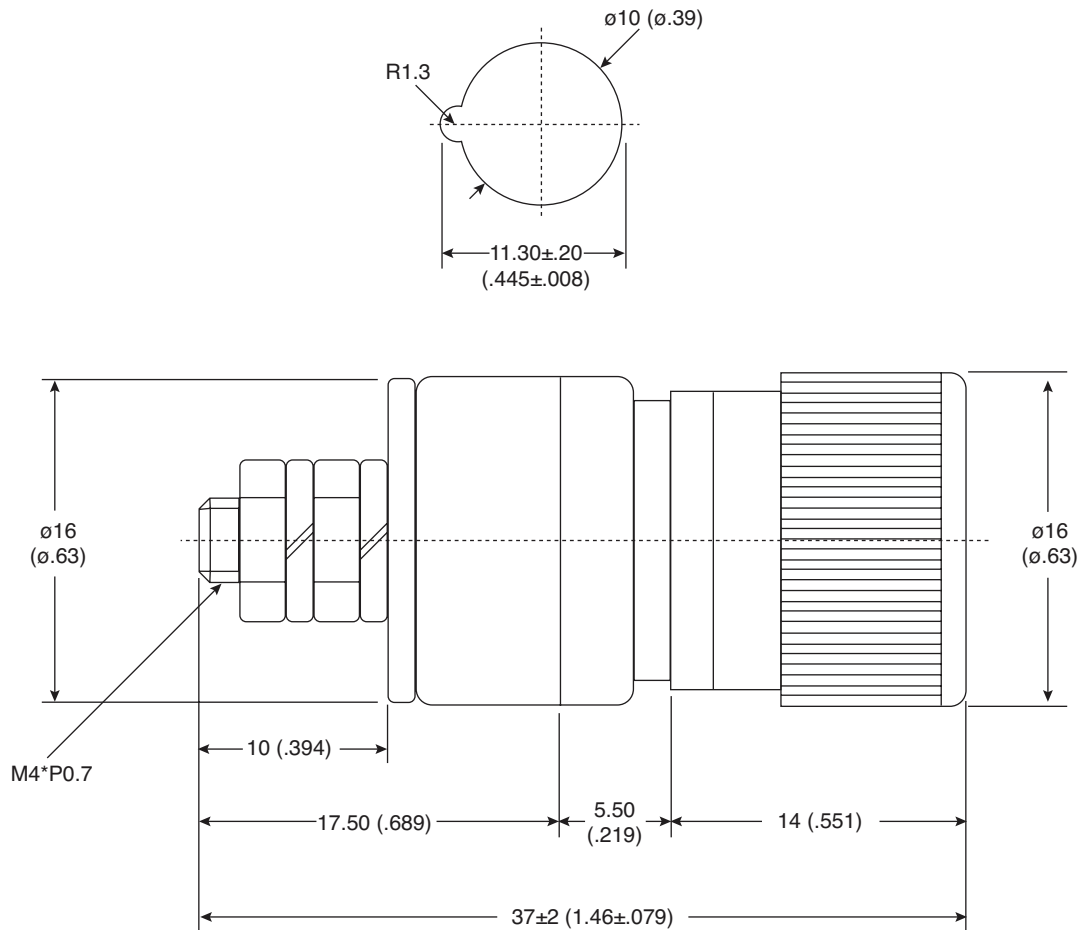


Binding Posts



164-R126B-EX, 164-R126R-EX

Binding Posts



Dimensions: mm (in.)

164-R126B-EX, 164-R126R-EX

SPECIFICATIONS	
Rating:	30A / 125VAC
Insulator Resistance:	500V DC 100MΩ Min.
Dielectric Strength:	1500V AC 1 minute
Temperature Range:	-10°C ~ +80°C
RoHS Compliant by Exemption	

MATERIAL	
Insulation:	Nylon
Metal:	Nickel plated brass
Panel Thickness:	.5-4mm

Date Last Revised: 3/06/07

Available from Mouser Electronics
1-800-346-6873 / www.mouser.com

KC-301097

Specifications are subject to change without notice. No liability or warranty implied by this information. Environmental compliance based on producer documentation.