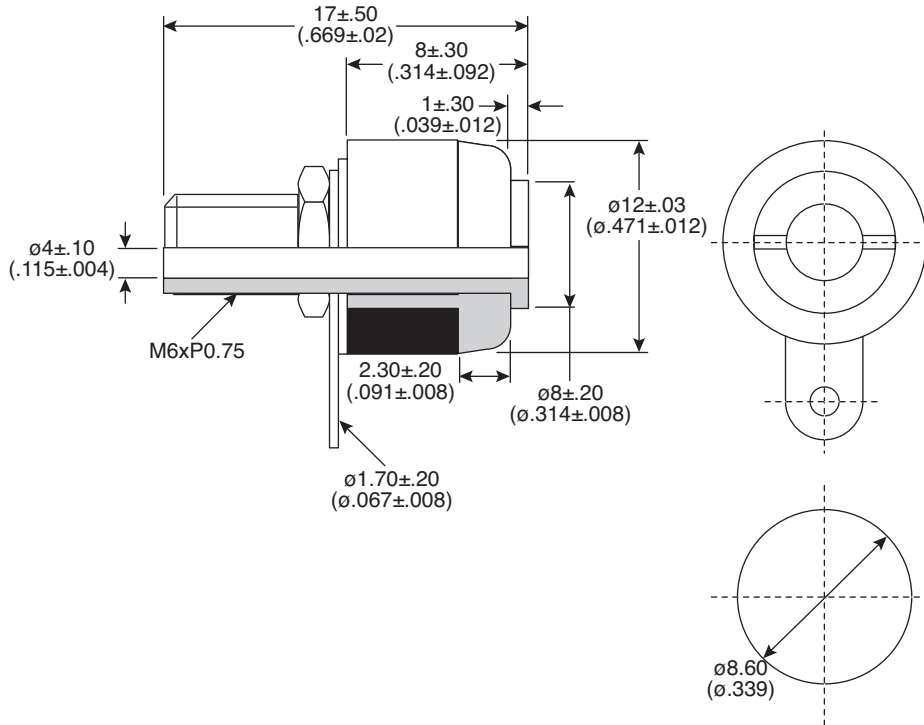


# Banana Sockets



164-R104R-EX, 164-R104B-EX

Banana Sockets



Dimensions: mm (in.)

SPECIFICATIONS	
Rating:	10A / 125V AC
Insulation Resistance:	500V DC 100MΩ min.
Dielectric Strength:	1000V AC 1 minute
Temperature Range:	-10°C to +80°C
RoHS Compliant by Exemption	

MATERIALS	
Insulation:	Nylon UL 94V-2
Metal:	Nickel plated brass
Panel Thickness:	.5-3.0mm

Date Last Revised: 3/06/07

Available from Mouser Electronics  
1-800-346-6873 / [www.mouser.com](http://www.mouser.com)

KC-301095

Specifications are subject to change without notice. No liability or warranty implied by this information. Environmental compliance based on producer documentation.

164-R104R-EX, 164-R104B-EX