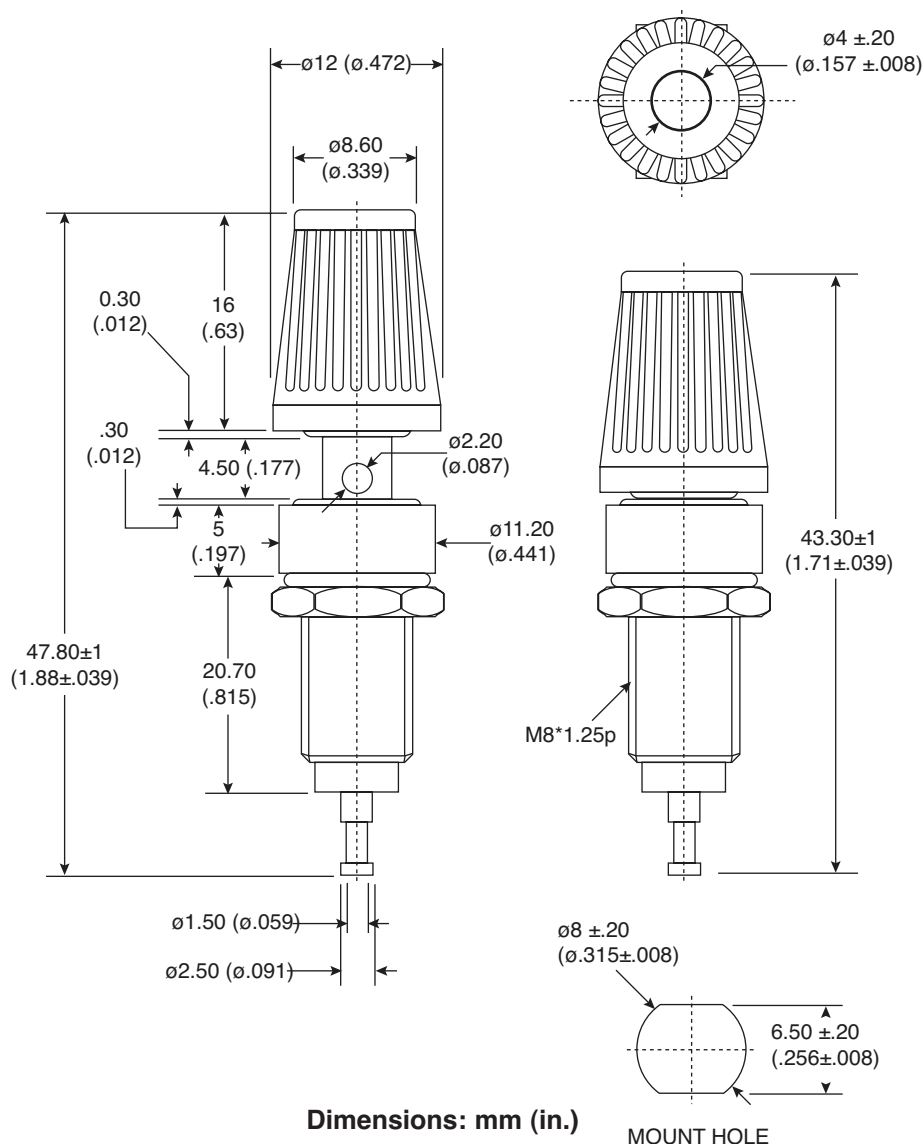


# Binding Posts

**KOBI**CONN

164-R134B-EX, 164-R134R-EX

Binding Posts



SPECIFICATIONS	
<b>Rating:</b>	10A / 125VAC
<b>Contact Resistance:</b>	50mΩ Max.
<b>Insulation Resistance:</b>	500V DC 100MΩ Min.
<b>Dielectric Strength:</b>	1000V AC 1 Minute
<b>Tolerance:</b>	±0.3 Except where noted
RoHS Compliant by Exemption	

Date Last Revised: 3/6/07

Available from Mouser Electronics  
1-800-346-6873 / [www.mouser.com](http://www.mouser.com)

KC-301096

Specifications are subject to change without notice. No liability or warranty implied by this information. Environmental compliance based on producer documentation.

164-R134B-EX, 164-R134R-EX