

## Features

- DC to 4 GHz
- Flanged model
- Low VSWR

## Applications

- High power RF transmission

# CHF5225CBF Series 60 W Power RF Flanged Chip Termination

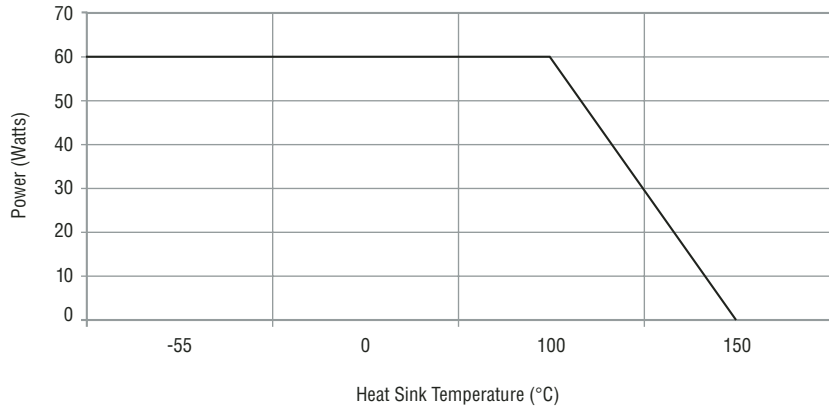
### General Specifications

Substrate .....Beo  
 Resistive Film.....Thick Film  
 Tab .....Ag  
 Cover Substrate.....AL203  
 Mounting Flange .....Cu plated with Ni  
 Resistance.....50 Ω  
 Tolerance.....±5 %  
 Packaging .....100 pcs./box

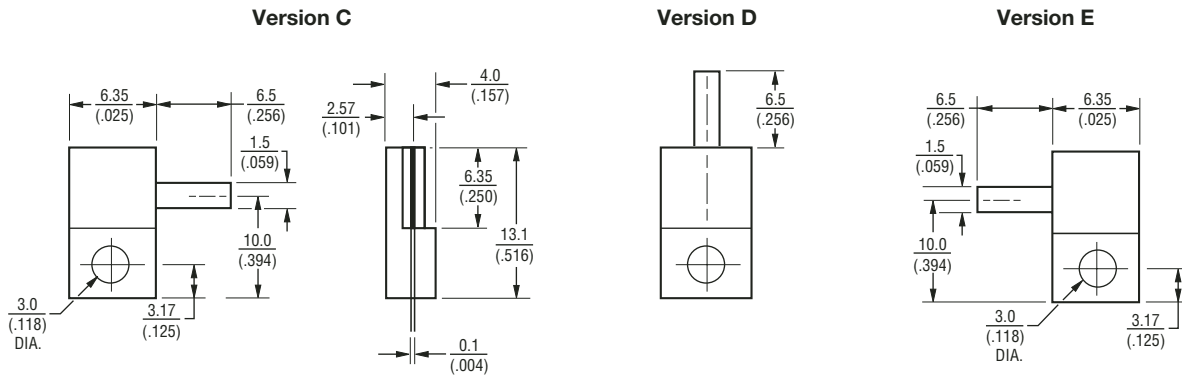
### Absolute Ratings

Power.....60 W  
 Frequency .....4.0 GHz  
 VSWR .....1.2 Maximum

### Characteristic Curve



### Product Dimensions



### How To Order

CHF 5225 C B F 500 L

Model \_\_\_\_\_  
 Size \_\_\_\_\_  
 Version \_\_\_\_\_  
 Substrate \_\_\_\_\_  
 Mount \_\_\_\_\_  
 F = Flange  
 Value \_\_\_\_\_  
 500 = 50 Ohm  
 Function \_\_\_\_\_  
 L = Termination



Reliable Electronic Solutions

#### Asia-Pacific:

Tel: +886-2 2562-4117  
 Fax: +886-2 2562-4116

#### Europe:

Tel: +41-41 768 5555  
 Fax: +41-41 768 5510

#### The Americas:

Tel: +1-951 781-5500  
 Fax: +1-951 781-5700

www.bourns.com