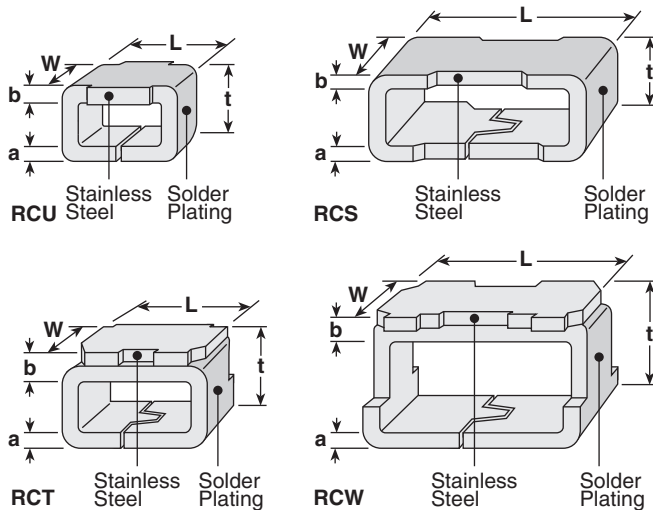


## features

- Surface-mountable chip type test terminal
- Automatic machine insertable
- Suitable for reflow and wave soldering
- Available in three standard sizes: 0603, 0805 or 1206
- Products with lead-free terminations meet EU RoHS and China RoHS requirements

## dimensions and construction



Type (Inch Size Code)	Dimensions inches (mm)				
	L	W	t	a	b
<b>RCU (0603)</b>	.063 (1.6)	.031 (0.8)	.045 (1.15)	.009 (0.23)	.009 (0.23)
<b>RCT (0805)</b>	.079 (2.0)	.049 (1.25)	.057 (1.45)	.009 (0.23)	.018 (0.45)
<b>RCS (1206)</b>	.126 (3.2)	.063 (1.6)	.049 (1.25)	.009 (0.23)	.009 (0.23)
<b>RCW (1206)</b>			.079 (2.0)	.009 (0.23)	.018 (0.45)

Note: Top surfaces of RCT and RCW are not solderable.

## ordering information

New Part #	RCU	C	TE
Type	RCU RCT RCS RCW	Termination Material C: SnCu	Packaging TE: 7" embossed plastic (2,000 pieces/reel) TED: 10" embossed plastic (5,000 pieces/reel) RCW not available in TED

For further information on packaging, please refer to Appendix A.

## applications and ratings

Part Designation	Rated Current	Standard Resistance	Rated Ambient Temperature	Operating Temperature Range
RCU	2 Amps	50mΩ or less	+70°C	-55°C to +125°C
RCT				
RCS				
RCW				

## environmental applications

### Performance Characteristics

Parameter	Requirement $\Delta R$		Test Method
	Limit	Typical	
Resistance	50mΩ Max. after the test	10mΩ Max. after the test	25°C
Resistance to Solder Heat			260°C $\pm$ 5°C, 10 seconds $\pm$ 1 second
Rapid Change of Temperature			-55°C (30 minutes), +125°C (30 minutes), 100 cycles
High Temperature Exposure	50mΩ Max. after the test		+125°C, 100 hours