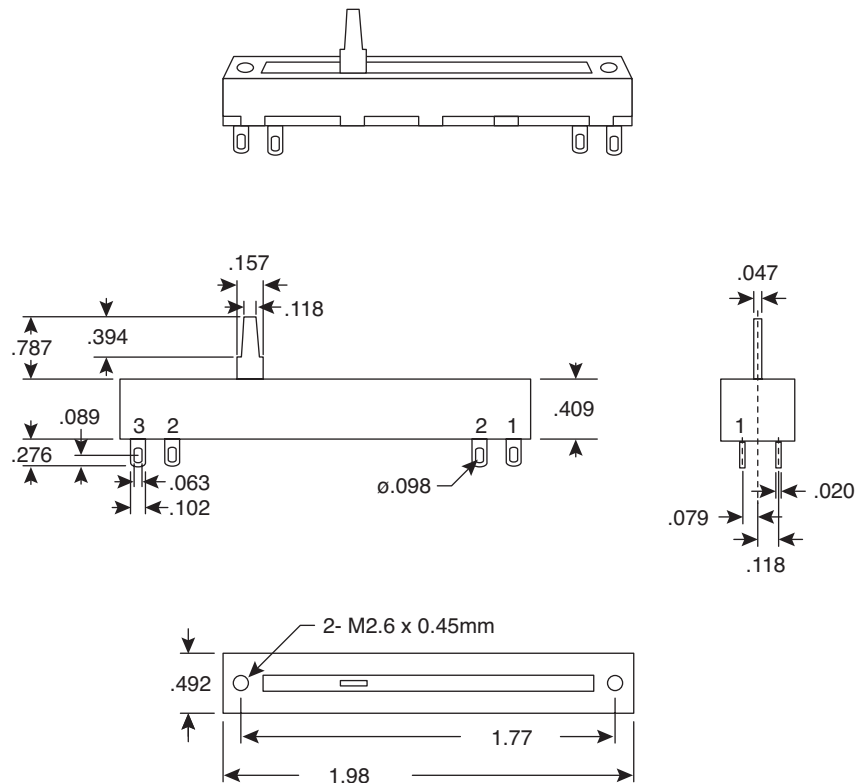




## Slide Potentiometer 312-9100F-Value



### Dimensions (In.) (except where noted)

#### Specifications:

- Taper: linear
- Terminals: solder lugs
- Rated wattage: 0.2
- Rated voltage: 200
- Insulation resistance: 50M $\Omega$  min. @ 500VDC
- Withstand voltage: 300VAC for 1 minute
- Operating force: 20~260gf.cm. (single)
- Lever stop strength: 5kg/60 seconds (5mm & 10mm)
- Lever wobble: 2 (2XL)/20mm max. (L= lever length both sides)
- Sliding life: 15,000 cycles
- Slide travel: 1 3/16"
- Values ( $\Omega$ ): 500, 1K, 5K, 10K, 25K, 50K, 100K
- RoHS Compliant