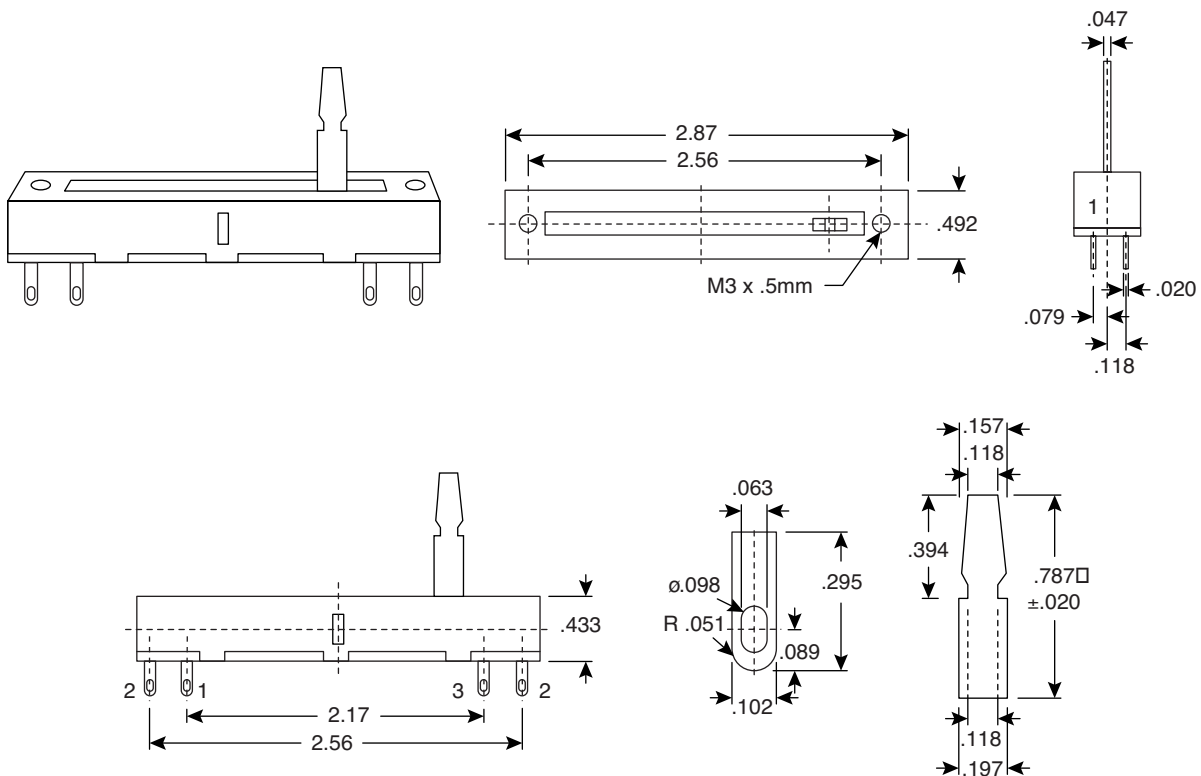




Potentiometer 312-9201F-Value



Dimensions (In.) (Except where noted)

Specifications:

- Type: slide
- Taper: linear
- Terminals: solder lugs
- Resistance tolerance: $\pm 20\%$
- Rated wattage: .5W max.
- Rated voltage: 500V max.
- Insulation resistance: 100M Ω min. @ 500VDC
- Dielectric strength: 500VAC for 1 minute
- Operating force: 30~300 gf.cm
- Lever stop strength: 5kg/60 seconds
- Slide travel: 1.77"
- Sliding life: 15,000 cycles
- Values (Ω): 1K, 2K, 5K, 10K, 25K, 50K, 100K, 250K, 500K, 1M
- RoHS Compliant