

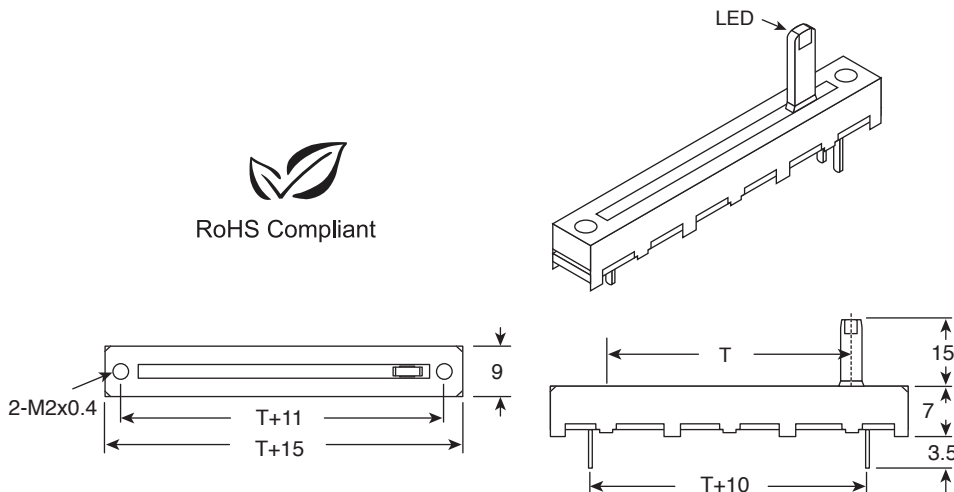


Alpha 45mm Slide Potentiometer with LED

RA4545F Series



RoHS Compliant



Dimensions mm (in.)

Specifications:

- Tolerance: $\pm 20\%$
- Slide Life: 15,000 Cycles
- Rated Voltage: 200V
- Rated Wattage: 20mm-0.1, 30mm, & 45mm-0.2
- Insulation resistance: 100m Ω @250V DC
- Breakdown voltage: 300 VAC for 1 minute
- Linear Taper
- Center Detent
- No Knob required
- Lever length: 15mm
- Slide Travel: 20mm, 30mm, & 45mm
- LED's available in Red, Green, and Amber

Alpha Part No.	Value (Ω)	Lever Travel (T)	LED Color
RA4545F-20R-15LC-B5K-C	5K	45mm	Red
RA4545F-20G-15LC-B5K-C	5K	45mm	Green
RA4545F-20A-15LC-B5K-C	5K	45mm	Amber
RA4545F-20R-15LC-B10K-C	10K	45mm	Red
RA4545F-20G-15LC-B10K-C	10K	45mm	Green
RA4545F-20A-15LC-B10K-C	10K	45mm	Amber
RA4545F-20R-15LC-B50K-C	50K	45mm	Red
RA4545F-20G-15LC-B50K-C	50K	45mm	Green
RA4545F-20A-15LC-B50K-C	50K	45mm	Amber
RA4545F-20R-15LC-B100K-C	100K	45mm	Red
RA4545F-20G-15LC-B100K-C	100K	45mm	Green
RA4545F-20A-15LC-B100K-C	100K	45mm	Amber

Specifications are subject to change without notice. No liability or warranty implied by this information. Environmental compliance based on producer documentation.

Available from Mouser Electronics

www.mouser.com

(800) 346-6873