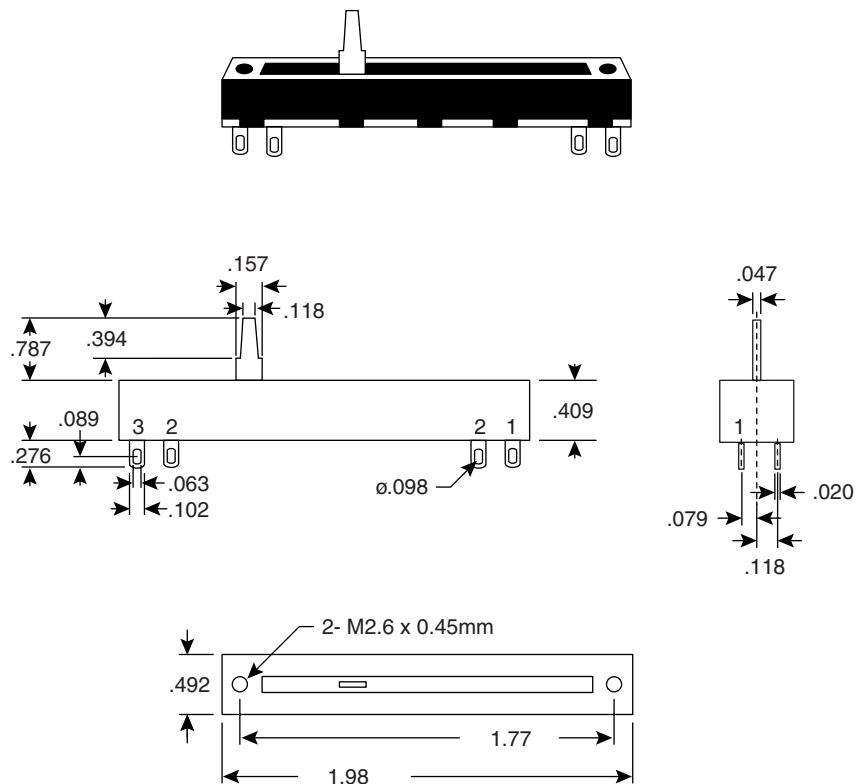




Potentiometer 312-9000F-Value



Dimensions (In.) (Except where noted)

Specifications:

- Taper: audio
- Terminals: solder lugs
- Rated wattage: 0.1
- Rated voltage: 150
- Insulation resistance: 50M Ω min. @ 500VDC
- Withstand voltage: 300VAC for 1 minute
- Operating force: 20~260gf.cm
- Lever stop strength: 5kg/60 seconds (5mm)
- Slide travel: 1.18"
- Sliding life: 15,000 cycles
- Values (Ω): 1K, 5K, 10K, 50K, 100K,
- RoHS Compliant