

Features

- Carbon element
- Assortment of resistance tapers
- 45 mm and 60 mm travel lengths
- Single and dual gang elements
- Long operational life
- Tracking error within ± 2 dB
- Various lever styles



PTE Series Low Profile Slide Potentiometer

Electrical Characteristics

Standard Resistance Range
 1K ohms to 1 megohm
 Standard Resistance Tolerance... ± 20 %
 End Resistance 2 ohms max.
 Insulation Resistance @ 100 VDC
 100 megohms min.
 Dielectric Withstanding Voltage
 250 VAC
 Tracking Error ± 2 dB
 Standard Taper Linear, Audio
 Power Rating
 Linear 0.2 watt
 Audio 0.1 watt
 Slider Noise 100 mV max.

Environmental Characteristics

Operational Life 100,000 cycles
 TR Shift ± 15 %
 Operating Temperature Range
 -10 °C to $+55$ °C
 Resistance to Solder Heat ± 5 %

Mechanical Characteristics

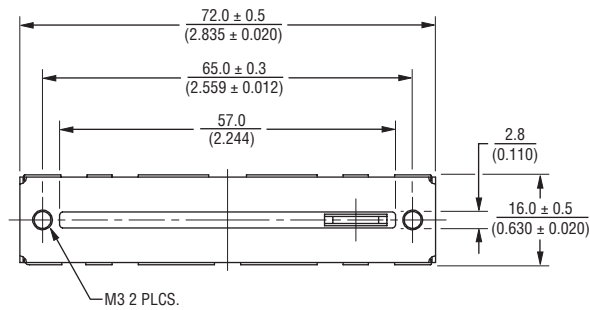
Mechanical Angle 300 ° ± 5 °
 Mechanical Travel Length ± 0.5 mm
 Operating Force 50 gf
 Stop Strength 5 kgf min.
 Shaft Axial Force 5 kgf min.
 Shaft Wobble.. $2(2 \times L/25)$ mm p-p max.
 Soldering Condition
 Manual 300 °C ± 5 °C for 3 sec.
 Wave 260 °C ± 5 °C for 5 sec.
 Wash Not recommended

Standard Resistance Table

Resistance (Ohms)	Resistance Code
1,000	102
2,000	202
5,000	502
10,000	103
20,000	203
50,000	503
100,000	104
200,000	204
500,000	504
1,000,000	105

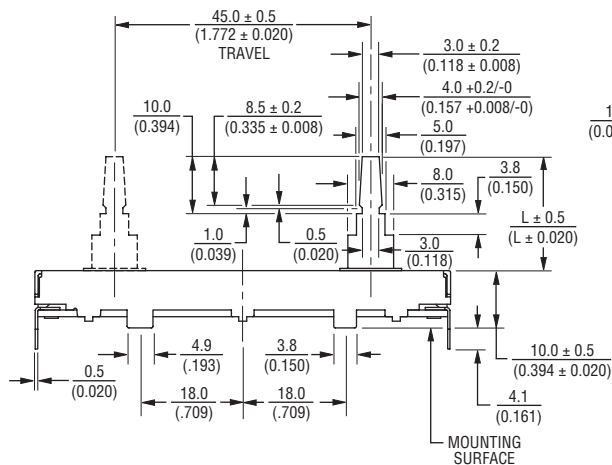
Product Dimensions

45 mm Length of Travel Lever End Style "B"

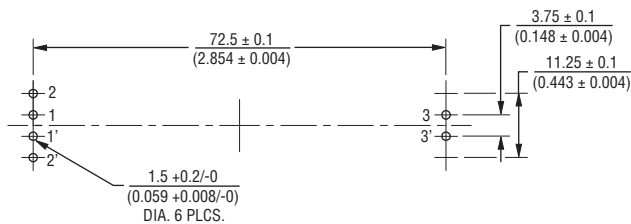


Lever Length
15.0 (.591)
20.0 (.787)

DIMENSIONS: $\frac{\text{MM}}{\text{(INCHES)}}$

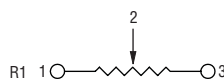


Mounting Hole Detail

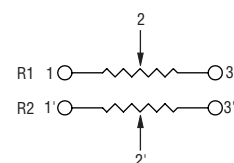


Schematics

Single Gang



Dual Gang



*RoHS Directive 2002/95/EC Jan 27 2003 including Annex
 Specifications are subject to change without notice.
 Customers should verify actual device performance in their specific applications.

Applications

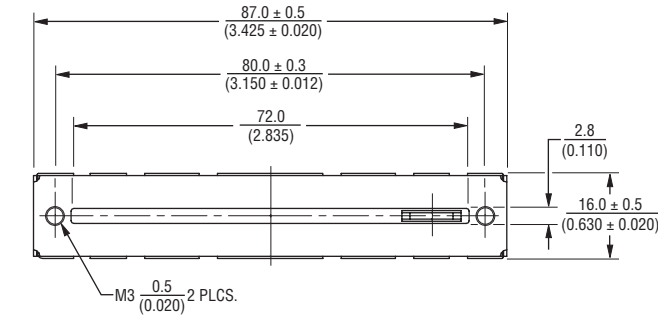
- Mixing consoles
- Drum machines
- Keyboards and synthesizers
- Equalizers

PTE Series Low Profile Slide Potentiometer

BOURNS®

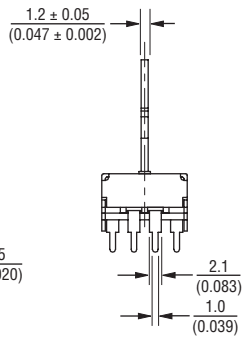
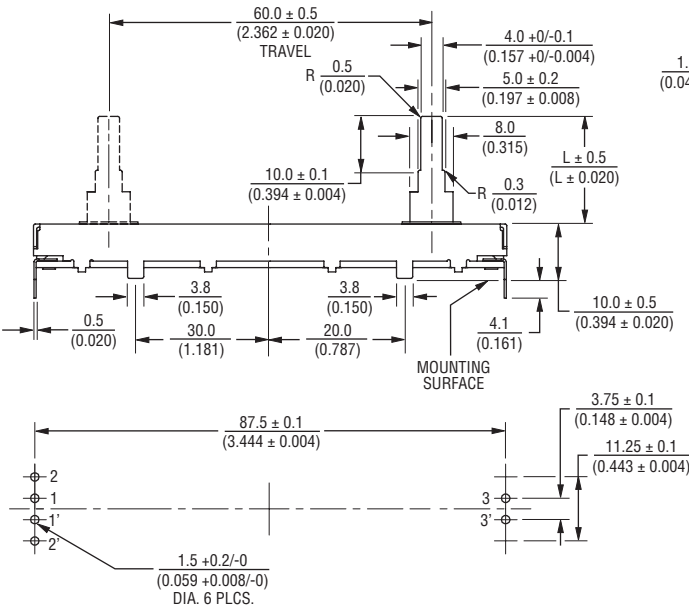
Product Dimensions

60 mm Length of Travel
Lever End Style "A"

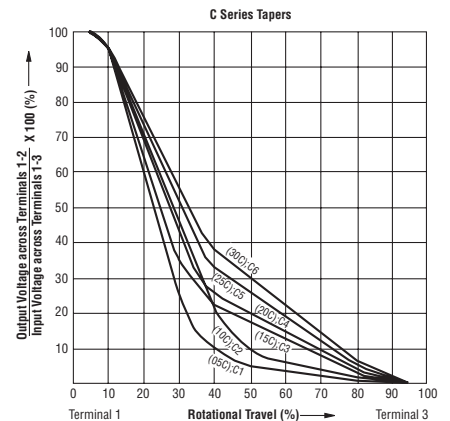
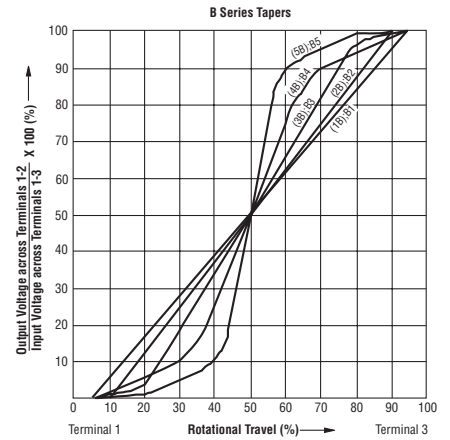
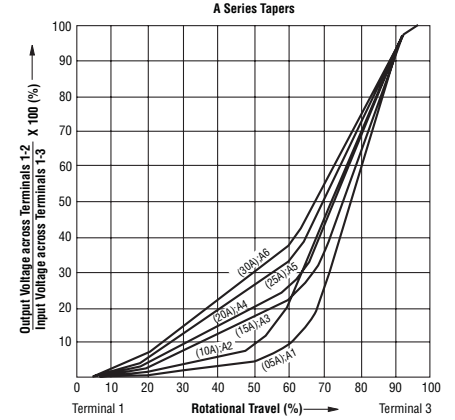


Lever Length	
15.0	(.591)
20.0	(.787)

DIMENSIONS: $\frac{\text{MM}}{\text{(INCHES)}}$



Tapers



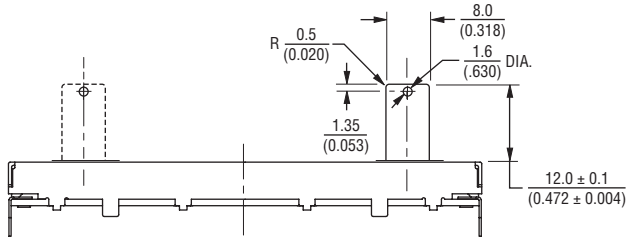
Specifications are subject to change without notice.
Customers should verify actual device performance in their specific applications.

PTE Series Low Profile Slide Potentiometer

BOURNS®

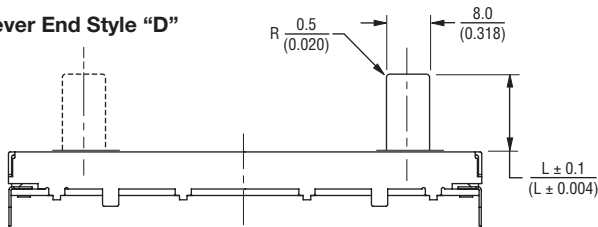
Additional Lever End Styles

Lever End Style "C"



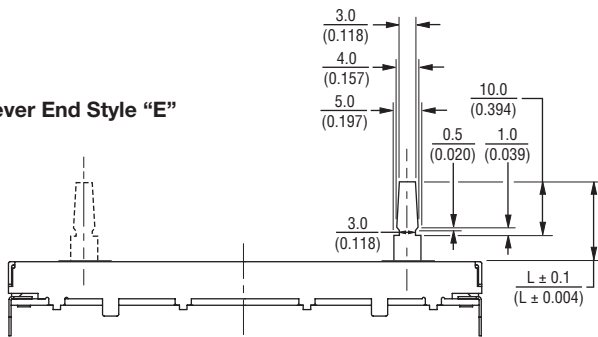
DIMENSIONS: $\frac{\text{MM}}{\text{(INCHES)}}$

Lever End Style "D"



Lever Length
$\frac{12.8}{(.504)}$
$\frac{20.0}{(.787)}$

Lever End Style "E"



Lever Length
$\frac{15.0}{(.591)}$
$\frac{20.0}{(.787)}$

How To Order

PTE 45 - 15 2 A - 103 B2

Model Number ————
 Designator
 PTE = Low Profile
 Slide
 Potentiometer
 Length of Travel ————
 45 = 45 mm
 60 = 60 mm
 Lever Length ————
 12 = 12 mm (Available with
 Lever End Style C)
 13 = 12.8 mm (Available with
 Lever End Style D)
 15 = 15 mm (Available with
 Lever End Styles A,B,E)
 20 = 20 mm (Available with
 Lever End Styles A,B,D,E)
 No. of Gangs ————
 1 = Single Gang
 2 = Dual Gang
 Metal Lever End Style ————
 (Refer to Drawings)
 • A • D
 • B • E
 • C
 Resistance Code ————
 (See Standard Resistance Table)
 Resistance Taper (See Taper Charts) ————
 Taper Series followed by Curve Number

REV. 02/10

Specifications are subject to change without notice.
 Customers should verify actual device performance in their specific applications.