

FEATURES

- Carbon resistive element.
- Dust proof enclosure.
- Polyester substrate.
- Also upon request:
 - Wiper positioned at 50% or fully clockwise
 - Supplied in magazines for automatic insertion
 - Long life model PT-6...E (10,000 cycles)
 - Without crimping model. PT-6...SC
 - Housing available in self extinguishable plastic (VL94V0)

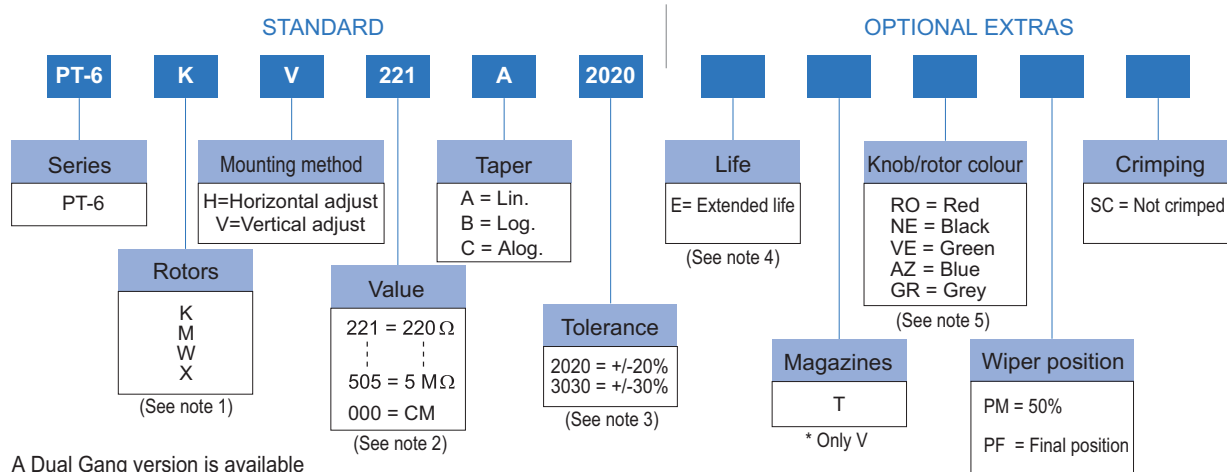
MECHANICAL SPECIFICATIONS

- Mechanical Rotation angle: $235^\circ \pm 5^\circ$
- Electrical Rotation angle: $200^\circ \pm 20^\circ$
- Torque: 0.2 to 2 Ncm. (0.3 to 2.7 in-oz)
- Stop torque: > 4 Ncm. (> 5.6 in-oz)

ELECTRICAL SPECIFICATIONS

- Range of values (*)
 $220\Omega \leq R_n \leq 5M$ (Decad. 1.0 - 2.0 - 2.2 - 2.5 - 4.7 - 5.0)
 - Tolerance (*): $220\Omega \leq R_n \leq 1M\Omega$ $\pm 20\%$
 $1M\Omega < R_n \leq 5M\Omega$ $\pm 30\%$
 - Max. Voltage: 100 VDC (lin), 50 VDC (no lin)
 - Nominal Power $50^\circ C$ ($122^\circ F$) (see power rating curve)
 0.1 W (lin) 0.05 W (no lin)
 - Taper (*) (Log & Alog. only $R_n \geq 1K$)
 Lin; Log; Alog.
 - Residual resistance(*): $\leq 0.5\% R_n$ (5Ω min)
 - Equivalent Noise Resistance: $\leq 3\% R_n$ (3Ω min)
 - Operating Temperature**: $-25^\circ C$ $+70^\circ C$ ($-13^\circ F$ $+158^\circ F$)
- (*) Others upon request. ** Up to $85^\circ C$ depending on application

HOW TO ORDER



A Dual Gang version is available (see Low Torque Ganged Trimmer data sheet).

NOTES:

- Adjust. type: «X» is only available with horizontal adjusting method.
- Value: - Code: $\frac{22}{1} = 220\Omega$
 - 000 = CM = Switch (see diagram)
 Number of zeros
 First two digits.
- Tolerance (non standard): Upon request: Code eg.: $\frac{+7}{-5} = \frac{07}{05}$
 Negative tolerance
 Positive tolerance
- Life: • Normal = 500 cycles • Long = 10,000 cycles
- Potentiometer without knob, only the rotor. Potentiometer with knob, only the knob.

NOTE: The information contained here should be used for reference purposes only.

HOW TO ORDER CUSTOM DRAWING

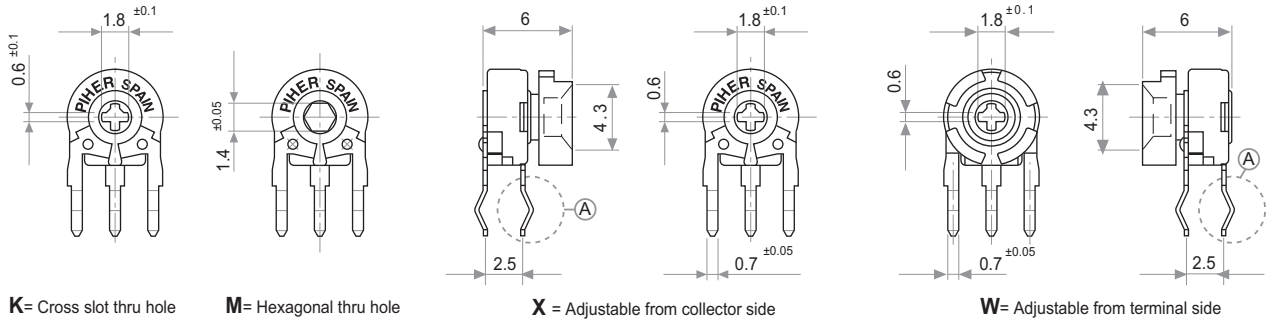
PT-6 KV + DRAWING NUMBER (Max. 16 characters)

This way of ordering should be used for options which are not included in the "How to order" standard and optional extras.

STANDARD OPTIONS

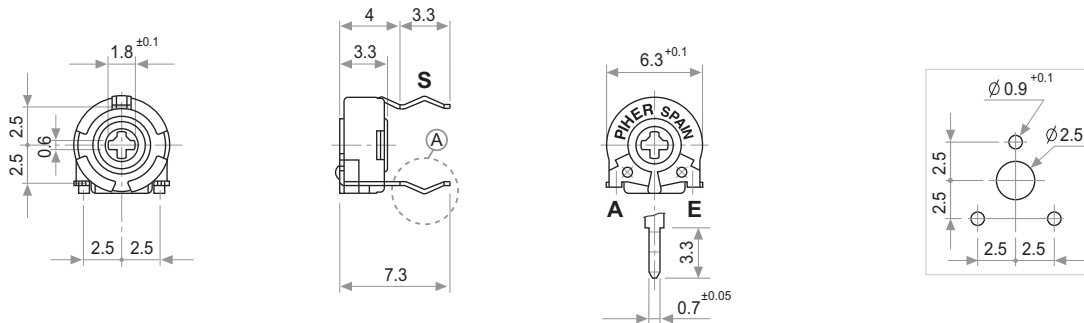
| | |
|-----------------------|---------------|
| Mechanical life | 500 cycles |
| Packing | Bulk |
| Rotor colour | White |
| Wiper position | Initial |
| Crimping | With crimping |

ROTORS

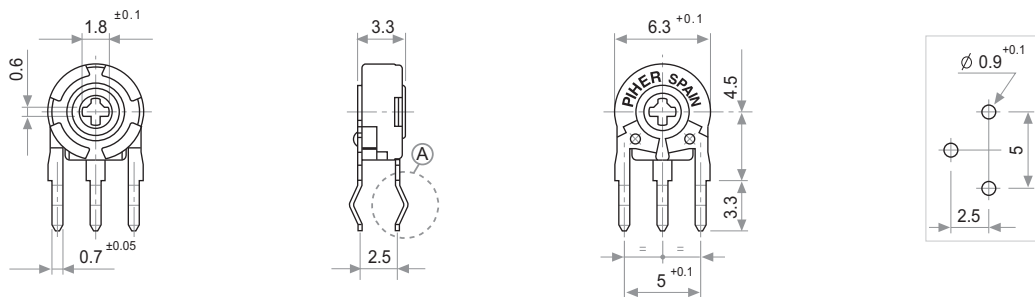


MOUNTING METHODS. VARIATIONS

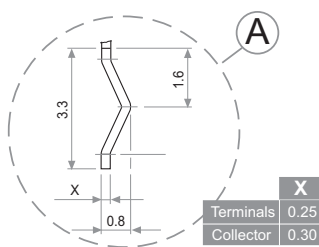
v = Horizontal mount / Vertical adjust



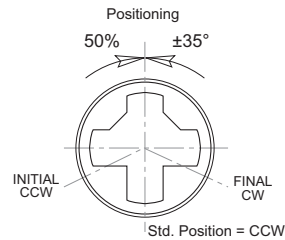
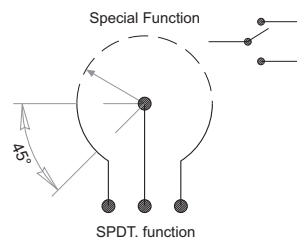
h = Vertical mount / Horizontal adjust



DETAIL



OPTIONS



PACKAGING

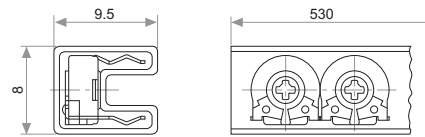
BOXES

| Model | Units |
|-------|-------|
| All | 1.000 |

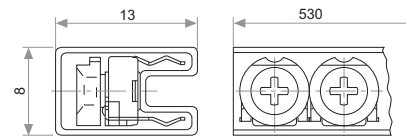
AUTOMATIC INSERTION

| Magazines | Units per magazine |
|------------------|--------------------|
| PT-6 V & PT-6 WV | 80 Pieces |

Magazines for PT-6 V with or without crimp.



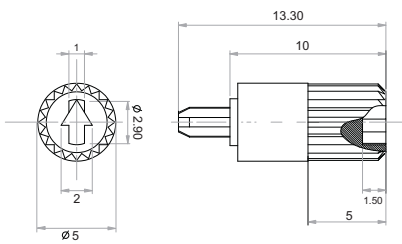
Magazines for PT-6 WV with or without crimp.



SHAFT

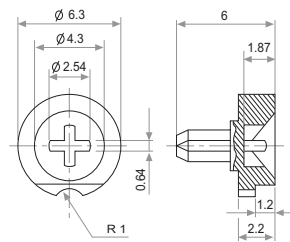
If you wish to use your own custom plastic shaft/knob/actuator please contact Piher for advice about compatible materials.

Ref.: 6132



Please order Shaft Separately

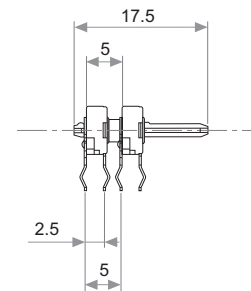
KNOB



Ref.: 5155

PT-6 DUAL GANG VERSION

For PT-6 dual gang version contact your nearest PIHER supplier



TESTS

| | | |
|----------------------------------|---------------------------|-----------------------|
| ELECTRICAL LIFE | 1.000 h. @ 50°C: 0.1 W | ±5 % |
| MECHANICAL LIFE (CYCLES) | 200 @ 10 CPM ...15 CPM | ±3 % (Rn < 1 MΩ) |
| TEMPERATURE COEFFICIENT | -25°C; +70°C | ±300 ppm (Rn < 100 K) |
| THERMAL CYCLING | 16 h. @ 85°C; 2h. @ -25°C | ±2.5 % |
| DAMP HEAT | 500 h. @ 40°C @ 95% HR | ±5 % |
| VIBRATION (for each plane X,Y,Z) | 2 h. @ 10 Hz. ... 55 Hz. | ±2 % |

NOTE: Out of range values may not comply with these results.

TYPICAL VARIATIONS

POWER RATING CURVE

