

**BOURNS®**

## Features

- Carbon element
- Insulated shaft
- Snap-in clip
- Center detent
- Center tap option
- Assorted pin layouts

## Applications

- Audio/TV sets
- Car radio
- Amplifiers/mixers/drum machines/synthesizers
- PCs/monitors
- Appliances

# PTV111/PTT111 - 11mm Potentiometer

### Electrical Characteristics

Taper .....A, B  
 Standard Resistance Range .....1K ohms to 1M ohms  
 Standard Resistance Tolerance .....±20%  
 Standard Nominal Resistance Value .....See standard resistance table  
 Residual Resistance .....Maximum 1%

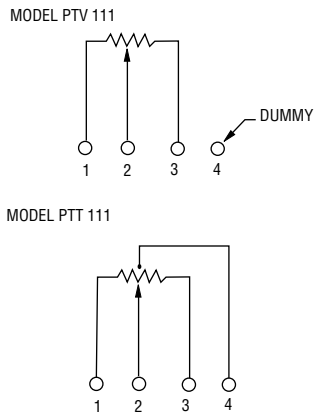
### Environmental Characteristics

Power Rating .....0.05 Watt  
 Maximum Operating Voltage .....50V AC, 20V DC  
 Sliding Noise .....100mV maximum

### Physical Characteristics

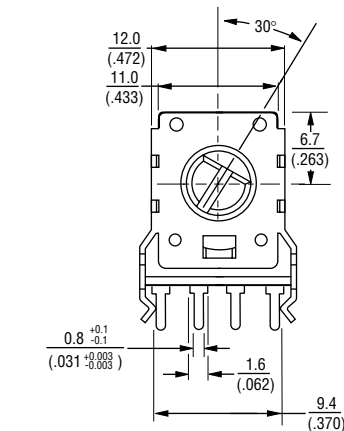
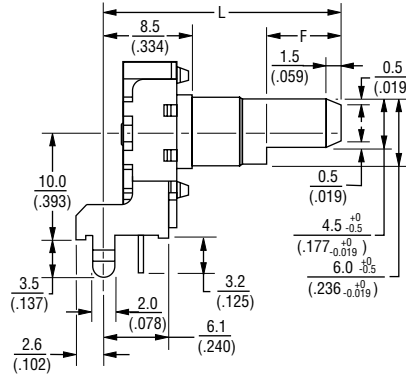
Mechanical Angle .....300° ±5°  
 Rotational Torque .....20 to 200 gcm  
 Click Torque .....30 to 300 gcm  
 Stop- End Strength  
 no bushing .....5 kgcm minimum  
 with bushing .....6 kgcm minimum  
 Rotational Life .....10,000 cycles minimum  
 Soldering Condition .....300°C max.  
 within 3 seconds

### Electrical Diagrams

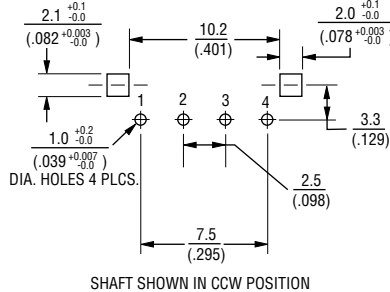


### Product Dimensions

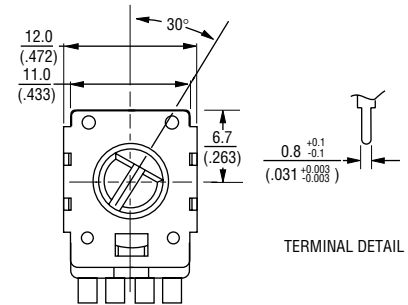
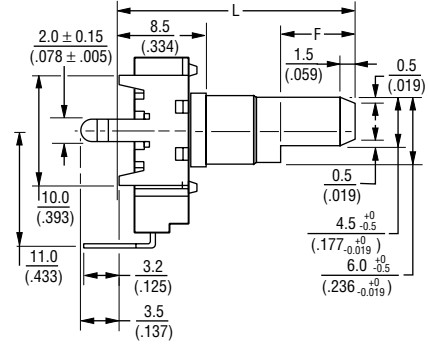
PTV111-2



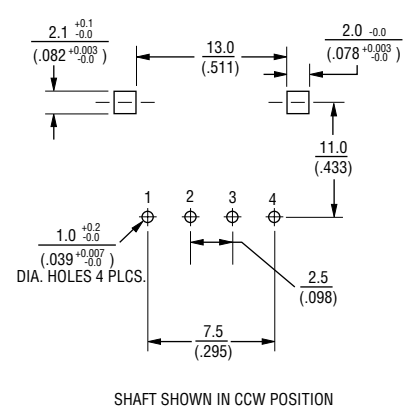
RECOMMENDED PCB LAYOUT



PTV111-4



RECOMMENDED PCB LAYOUT



### Dimensions Without Bushing

L	20	25
	(.787)	(.984)
F	7	12
	(.275)	(.472)

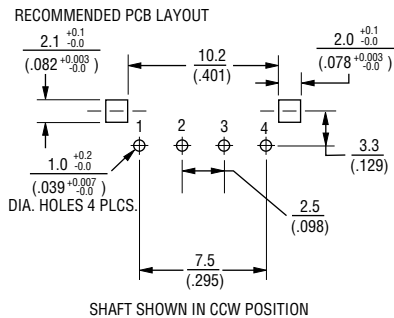
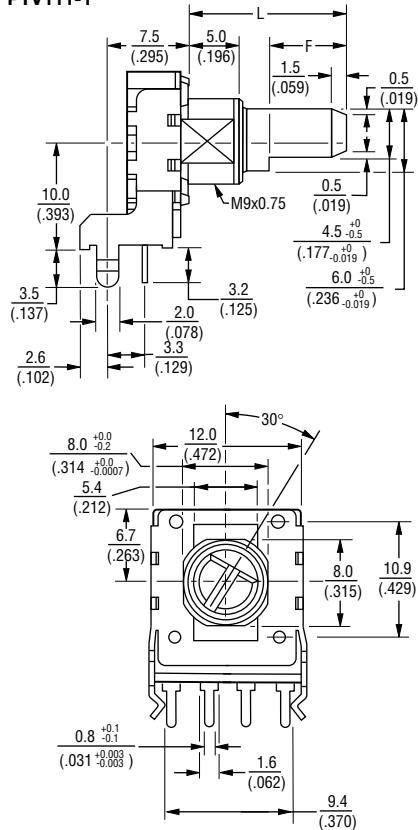
DIMENSIONS ARE:     METRIC  
                                 INCHES

# PTV111/PTT111 - 11mm Potentiometer

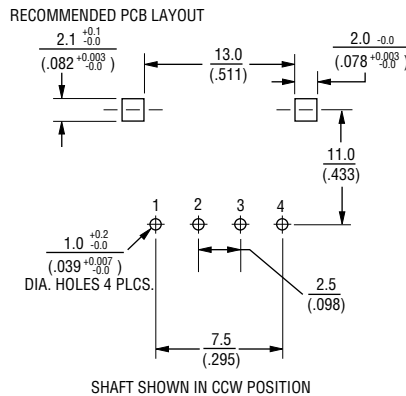
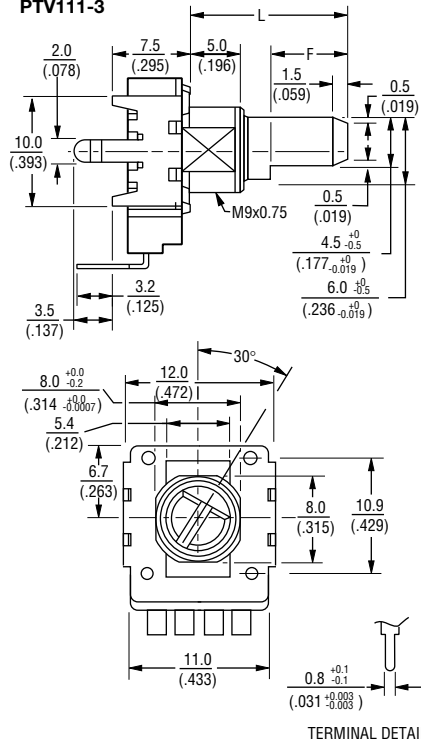
# BOURNS®

## Product Dimensions

PTV111-1



PTV111-3



## How To Order

PTV111 - 2 4 20 A - B 104

- Model (See Diagrams)
- PTV111 Standard
  - PTT111 With Tap
- Pin Style
- PC Pins vertical/Down Facing:
- 1 = With Bushing
  - 2 = No Bushing
- PC Pins horizontal/Rear Facing:
- 3 = With Bushing
  - 4 = No Bushing
- Center Detent Option
- 4 = No Detent
  - 2 = Center Detent
- Standard Shaft Length
- 15 = 15mm
  - 20 = 20mm
  - 25 = 25mm
- Shaft Styles
- A = Flat Type Insulated Shaft
- Resistance Taper
- A = Audio Taper
  - B = Linear Taper
- Resistance Code (See Table)
- Other styles available.

## Standard Resistance Table

Resistance (Ohms)	Resistance Code
1,000	102
2,000	202
5,000	502
10,000	103
20,000	203
50,000	503
100,000	104
200,000	204
500,000	504
1,000,000	105

## Dimensions With Bushing

L	15	20
	(.590)	(.787)
F	7	12
	(.275)	(.472)