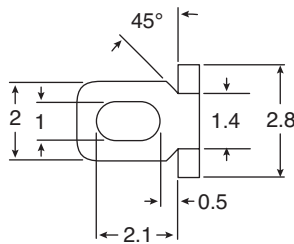
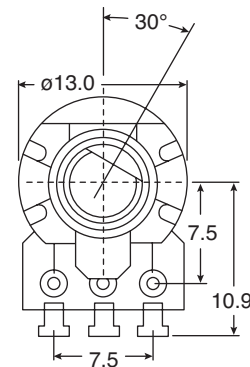
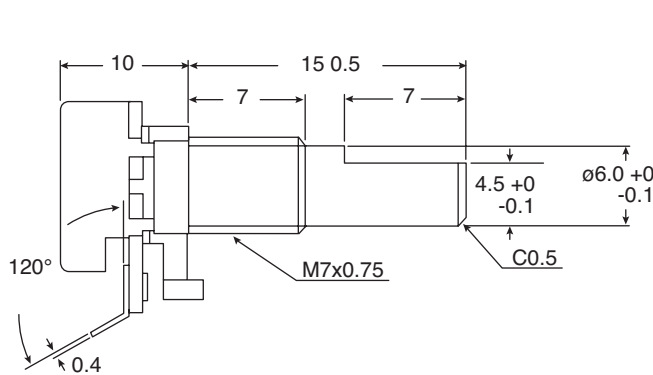




Potentiometers
RV120F-10-15F-B100K

Dimensions: mm

Shaft Shown In
 Full C.C.W. Position



Specifications:

- Total rotation angle: 300° ± 5°
- Rotational life: 15,000 cycles
- Termination: solder lugs
- Flat/ "D" Shaft: 6.0mm diameter
- Rated wattage:
 - linear= 0.08W
 - audio=0.04W
- Maximum working voltage:
 - linear= 150V
 - audio= 100V
- RoHS Compliant

Tol. Unless Otherwise Stated		
Less Than	10	±0.3
Above	10-30	±0.5
Above	30~100	±1.0
Above	- - -	±5°

Suffix	Value	Taper
A1K	1K	Audio
A5K	5K	Audio
A10K	10K	Audio
A50K	50K	Audio
A100K	100K	Audio
A500K	500K	Audio
A1M	1Meg	Audio
B1K	1K	Linear
B5K	5K	Linear
B10K	10K	Linear
B50K	50K	Linear
B100K	100K	Linear
B500K	500K	Linear
B1M	1Meg	Linear