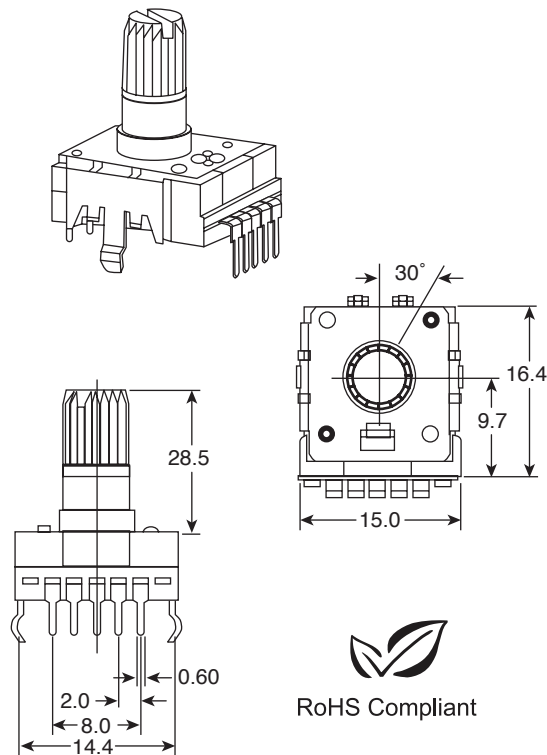




Alpha 14mm Clear Shaft Dual Rotary Potentiometer RV142F Series



Dimensions mm (in.)

Features:

- Clear plastic shaft in which a LED can be placed in the bottom to illuminate the shaft
- Any color T1 (3mm) size LED can be used.

Specifications:

- Tolerance: $\pm 20\%$
- Rated Wattage: 0.05
- Rated Voltage: 50V AC
- Rotational Life: 15,000 Cycles
- Rotational torque: 20 to 200g/cm
- Insulation resistance: 100m Ω @250 V DC
- Breakdown voltage: 300 VAC for 1 minute

Alpha Part No.	Value (Ω)	Taper
RV142F-40-35BL-A5K	5K	Audio
RV142F-40-35BL-A10K	10K	Audio
RV142F-40-35BL-A20K	20K	Audio
RV142F-40-35BL-A50K	50K	Audio
RV142F-40-35BL-A100K	100K	Audio

Applications:

- Video
- Computers
- Audio equipment
- Communications

Specifications are subject to change without notice. No liability or warranty implied by this information. Environmental compliance based on producer documentation.

Available from Mouser Electronics

www.mouser.com

(800) 346-6873