



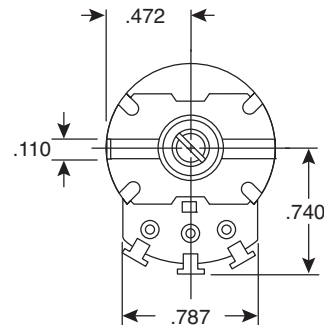
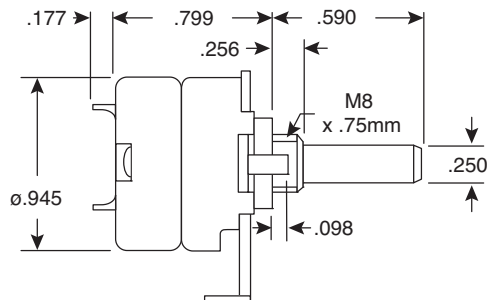
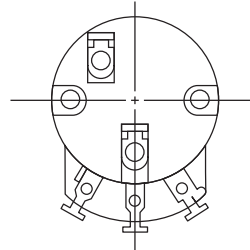
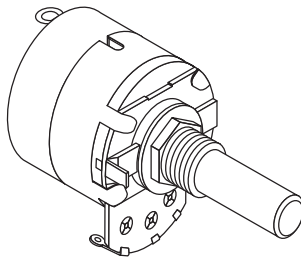
## Potentiometers

31XP301-F, 31XP305-F, 31XP401-F,  
31XP405-F, 31XP501-F, 31XP505-F, 31XP601-F

Dimensions: in.  
(except where noted)



RoHS Compliant



### Specifications:

- Rotation angle:  $300^{\circ} \pm 5^{\circ}$
- Rotation torque: 50~350gcm
- Power rating: 0.25W
- Voltage rating: 250V
- Switch circuit: S.P.S.T.
- Switch rating: 125VAC, 1A
- Rotational life: 15,000 cycles
- RoHS Compliant

Mouser Stock No.	Value ( $\Omega$ )
31XP301-F	1K
31XP305-F	5K
31XP401-F	10K
31XP405-F	50K
31XP501-F	100K
31XP505-F	500K
31XP601-F	1Meg