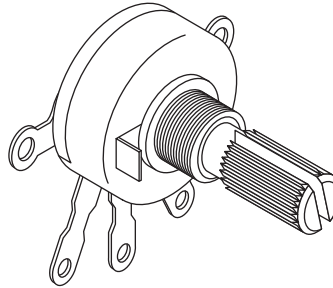
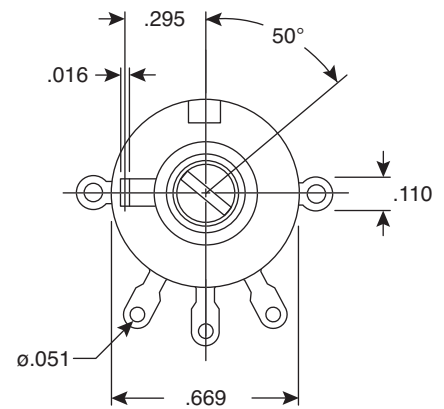
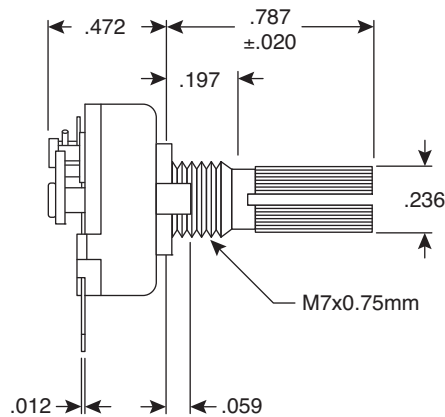
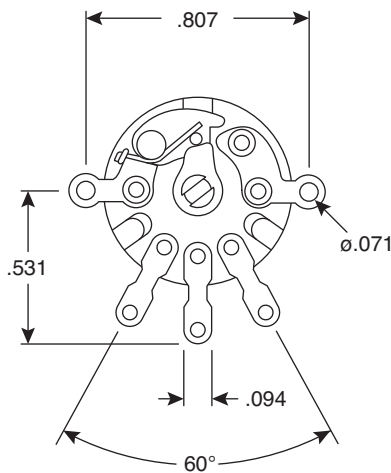




Potentiometers w/switches 31CB Series



RoHS Compliant

Shaft Shown in
Full C.C.W. Position

Dimensions (in.)
(except where noted)

Specifications:

- Taper: Audio
- Resistance Element: carbon composition
- Wattage: .05W
- Voltage: 150VDC
- Rotation Angle: $260 \pm 5^\circ$
- Rotation Torque: 20~200gf.cm
- Anti-rotational Torque: >3Kg.cm/min.
- Insulation Resistance: >50M Ω @ 500VDC
- Withstand Voltage: 500VAC for 1 minute
- Rotational Life: 15,000 cycles
- Switch Rating: 12VDC 1A
- Switch Circuit: SPST
- Switch Contact Resistance: <20m Ω
- Switching Angle: $30 \pm 10^\circ$
- Switching Torque: 70~400gf.cm
- RoHS Compliant

Mouser Stock No.	Value (Ω)
31CB301F	1K
31CB305F	5K
31CB401F	10K
31CB501F	100K

Available from Mouser Electronics

www.mouser.com

(800) 346-6873

Specifications are subject to change without notice. No liability or warranty implied by this information. Environmental compliance based on producer documentation.