

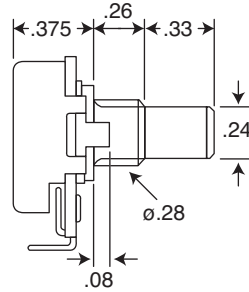
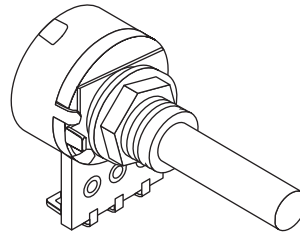


Center Detent Miniature Potentiometers

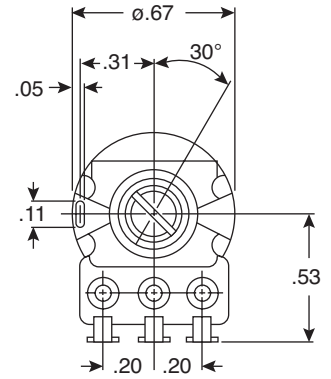
313-2000F Series

■ SPECIFICATIONS

- Rated wattage: 0.2W
- Rated voltage: 200V
- Insulation resistance: >100MΩ @ 500VDC
- Breakdown voltage: 500VAC for 1 minute
- Rotation life: 15,000 cycles
- Element material: carbon
- Wiper tracking: ±10%
- Nominal tolerance: ±20%
- Rotational noise: 47mV
- End resistance: 20Ω @ each end
- Shaft material: zinc alloy
- Case material: steel
- Case finish: zinc plate
- Total rotation angle: 300° ± 5°
- Shaft stop strength: 6Kgf. cm/min.
- Resistance taper: linear
- RoHS Compliant



DIMENSIONS: in.

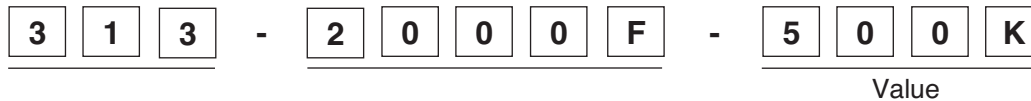


Shaft shown in full C.C.W. position



RoHS Compliant

■ PART NUMBERING SYSTEM



■ VALUES

1K, 2K, 5K, 10K, 25K, 50K, 100K, 250K, 500K, 1M

