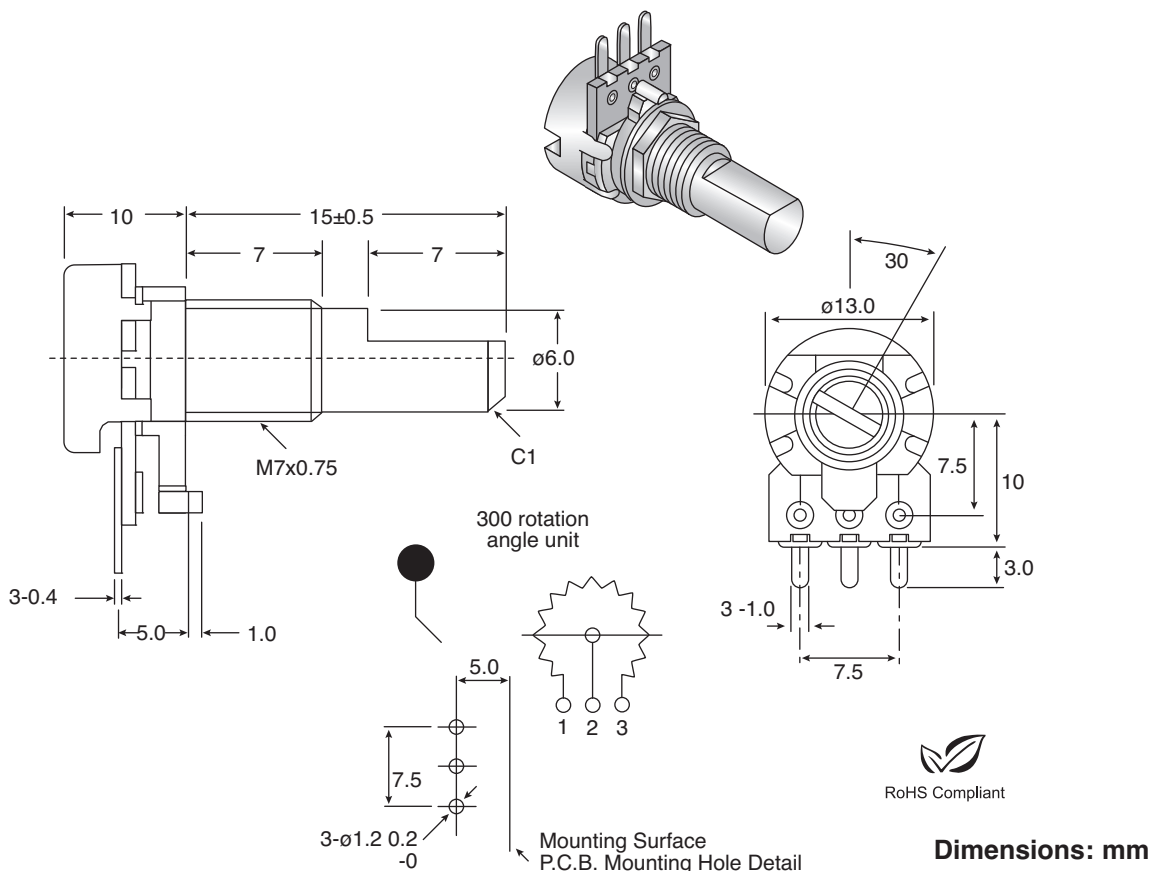




Potentiometers

RV120F-20-15F-SERIES



Specifications:

- Total rotation angle: $300^\circ \pm 5^\circ$
- Rotational life: 15,000 cycles
- Termination: solder lugs
- Flat/ "D" Shaft: 6.0mm diameter
- Rated wattage:
 - linear= 0.08W
 - audio=0.04W
- Maximum working voltage:
 - linear= 150V
 - audio= 100V
- Nominal Tolerance (Ω): $\pm 5\%$

Alpha Part Number	Value	Taper
RV120F-20-15F-A1K	1K	Audio
RV120F-20-15F-A5K	5K	Audio
RV120F-20-15F-A10K	10K	Audio
RV120F-20-15F-A50K	50K	Audio
RV120F-20-15F-A100K	100K	Audio
RV120F-20-15F-A500K	500K	Audio
RV120F-20-15F-A1M	1M	Audio
RV120F-20-15F-B1K	1K	Linear
RV120F-20-15F-B5K	5K	Linear
RV120F-20-15F-B10K	10K	Linear
RV120F-20-15F-B50K	50K	Linear
RV120F-20-15F-B100K	100K	Linear
RV120F-20-15F-B500K	500K	Linear
RV120F-20-15F-B1M	1M	Linear