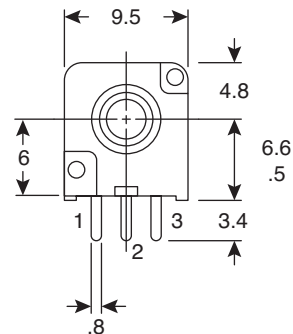
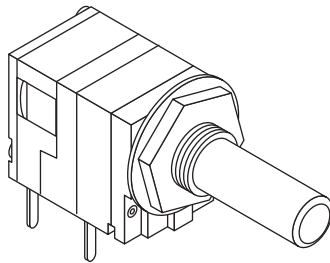


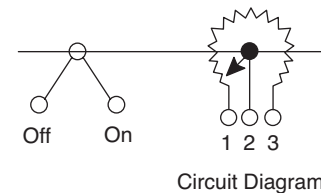
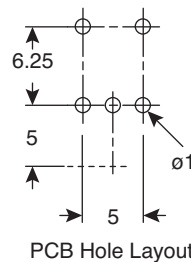
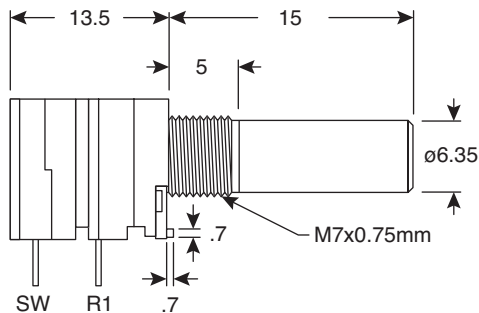


9mm Potentiometer

RD901SF-20-15R1-B13, RD901SF-20-15R1-B53,
RD901SF-20-15R1-B14, RD901SF-20-15R1-B54,
RD901SF-20-15R1-B15



Dimensions: mm



Circuit Diagram

Specifications:

- Taper: Linear, PC Mount
- Rated Wattage: 0.05W
- Insulation Resistance: >100MΩ @ 250VDC
- Breakdown Voltage: 300VAC for 1 minute
- Rotation Angle: 300°±5°
- Rotation Torque: 20~250g/cm
- Tolerance: ±20%
- Rated Voltage: 50VAC
- Switch Rating: 12VDC 3A
- Life: 10,000 cycles min.
- Switch Working Angle: 50° max.
- Switch Working Torque: 500gf-cm max.
- RoHS Compliant

Tol. Unless Otherwise Stated		
Less Than	10	±0.3
Above	10-30	±0.5
Above	30~100	±1.0
Above	- - -	±5°

XXX	Value	Taper
B13	1K	Linear
B53	5K	Linear
B14	10K	Linear
B54	50K	Linear
B15	100K	Linear