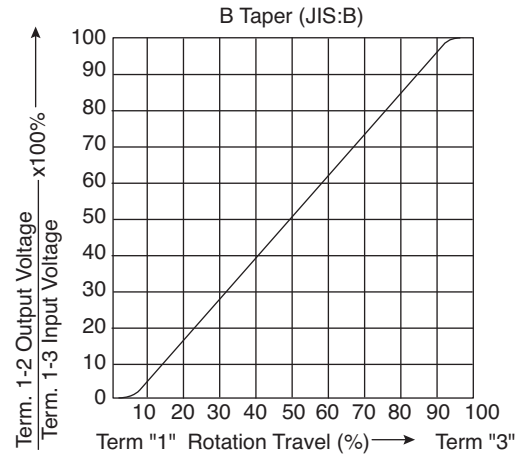
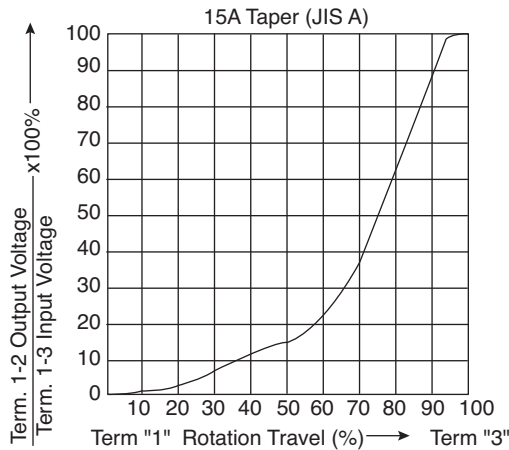
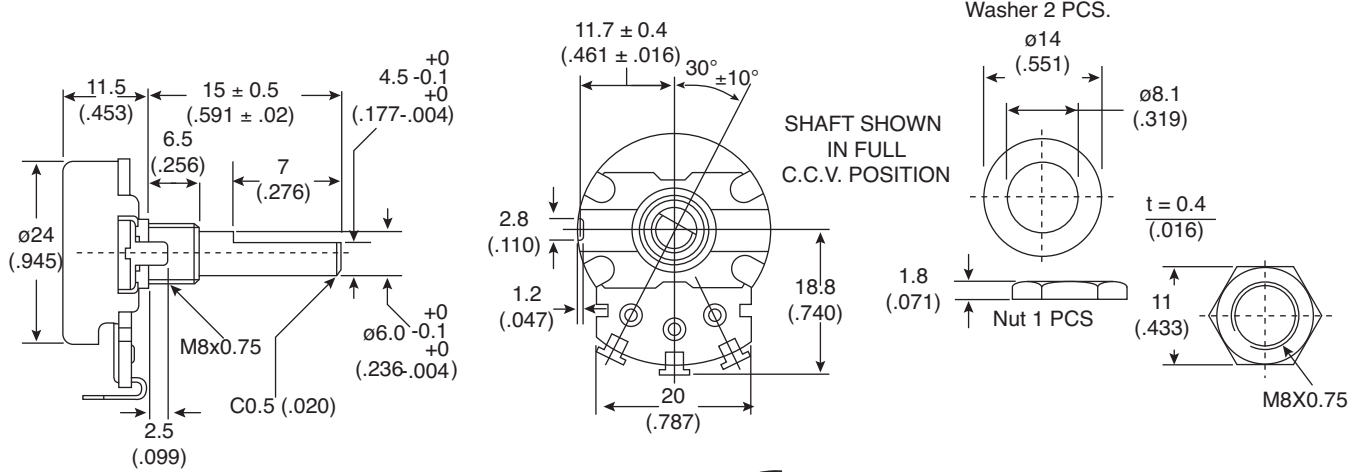




### 24mm D-Shaft Potentiometer

313-2440F-Value

313-2441F-Value



Dimensions mm (in.)

**Electrical Specification:**

- Rated wattage: .5W
- Maximum working voltage: 500V
- Slide noise: less than 47 mV
- Insulation resistance: more than 100MΩ
- Withstand voltage: 500VAC for 1 minute
- Temperature range: from -10°C to +70°C
- VR life: 15,000 cycles
- RoHS Compliant

Audio Taper	Linear Taper
313-2440F-1K	313-2441F-500
313-2440F-5K	313-2441F-1K
313-2440F-10K	313-2441F-5K
313-2440F-50K	313-2441F-10K
313-2440F-100K	313-2441F-25K
313-2440F-500K	313-2441F-50K
313-2440F-1M	313-2441F-100K
	313-2441F-250K
	313-2441F-500K
	313-2441F-1M
	313-2441F-2M
	313-2441F-5M