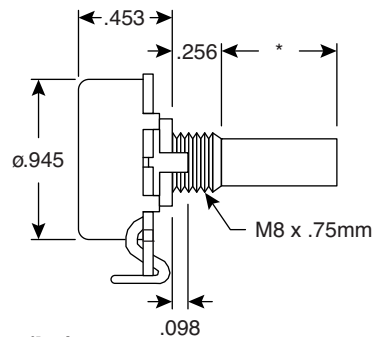
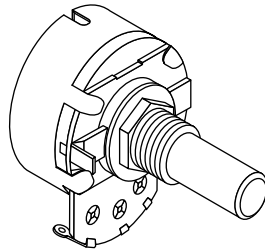


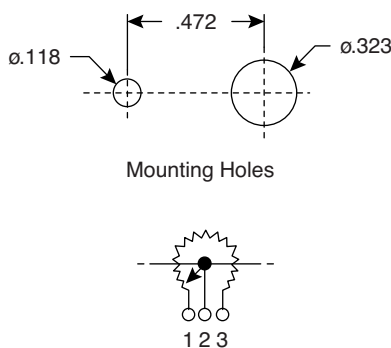
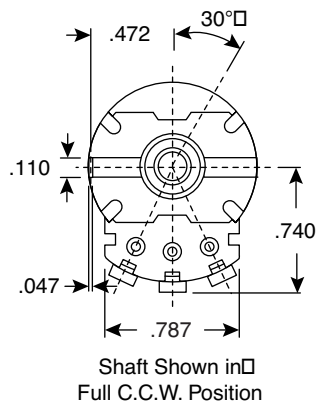


## Potentiometer

31VA Series  
31VC Series  
31VJ Series



**Dimensions (In.)**  
(except where noted)



### Specifications:

- Resistance tolerance:  $\pm 20\%$
- Taper: linear(31VA series, 31VC series), audio(31VJ series)
- Maximum working voltage: 500V(linear taper)  
250V(audio taper)
- Power Dissipation: .5W(linear taper)  
.25W(audio taper)
- Insulation resistance:  $> 100M\Omega @ 500VDC$
- Minimum resistance: if total R  $< 2K$  then  $\leq 20\Omega$   
if total R  $> 2K$  then  $\leq 100\Omega$   
if total R  $> 1m$  then  $\leq 200\Omega$
- Rotation life: 15,000 cycles
- Resistive element: carbon composition
- Electrical rotation angle:  $285^\circ \pm 5^\circ$
- Rotation angle:  $300^\circ \pm 5^\circ$
- Rotation torque: 20~200 gf.cm
- Shaft stop strength:  $> 6Kgf.cm/min$
- Terminals: solder lugs
- Shaft length\*: .335"(31VA series, 31VJ series), 1.32"(31VC series)
- RoHS Compliant

MOUSER STOCK NO.	Value ( $\Omega$ )	MOUSER STOCK NO.	Value ( $\Omega$ )	MOUSER STOCK NO.	Value ( $\Omega$ )
31VA301-F	1K	31VC205-F	500	31VJ301-F	1K
31VA302-F	2K	31VC301-F	1K	31VJ305-F	5K
31VA303-F	2.5K	31VC302-F	2K	31VJ401-F	10K
31VA305-F	5K	31VC303-F	2.5K	31VJ405-F	50K
31VA401-F	10K	31VC305-F	5K	31VJ501-F	100K
31VA403-F	25K	31VC401-F	10K	31VJ503-F	250K
31VA405-F	50K	31VC403-F	25K	31VJ505-F	500K
31VA501-F	100K	31VC405-F	50K	31VJ601-F	1M
31VA503-F	250K	31VC501-F	100K		
31VA505-F	500K	31VC503-F	250K		
31VA601-F	1M	31VC505-F	500K		
31VA602-F	2M	31VC601-F	1M		
31VA605-F	5M	31VC605-F	5M		