

Features

- High rotational life
- Metal shaft styles
- Carbon element
- Center detent option
- Wide range of resistance tapers
- RoHS compliant*



PDB24 Series - 24 mm Rotary Potentiometer

Electrical Characteristics

Taper.....	Linear, audio
Standard Resistance Range 1 K ohms to 1 M ohms
Standard Resistance Tolerance.....	±20 %
Residual Resistance	
R < 500K ohms	10 ohms max.
R > 500K ohms	0.1 % max. total resistance

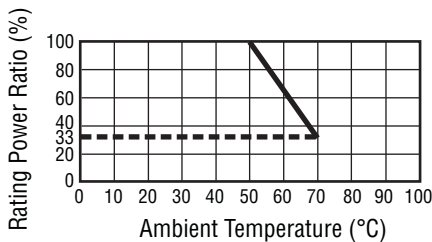
Environmental Characteristics

Operating Temperature -10 °C to +70 °C
Power Rating	
Linear	0.5 watt
Audio	0.25 watt
Maximum Operating Voltage	
Linear	500 V
Audio	250 V
Rotational Noise	150 mV max.

Mechanical Characteristics

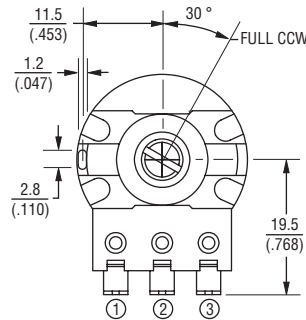
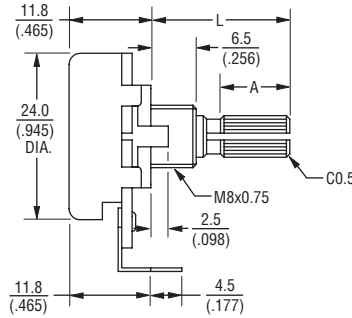
Mechanical Angle.....	300 ° ±5 °
Rotational Torque	20 to 200 g-cm
Stop Strength	8 kg-cm min.
Rotational Life	
Standard.....	15,000 cycles min.
High.....	500,000 cycles min.
Soldering Condition	
Manual Soldering	
.....	300 °C within 3 seconds
Wave Soldering	
.....	260 °C within 3 seconds
Hardware	One flat washer and mounting nut supplied per potentiometer with bushing

Derating Curve

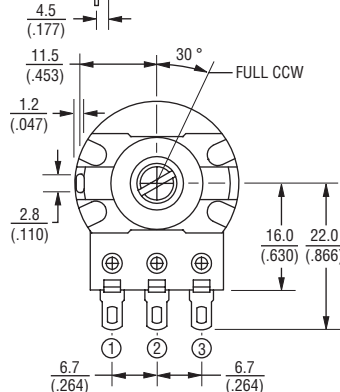
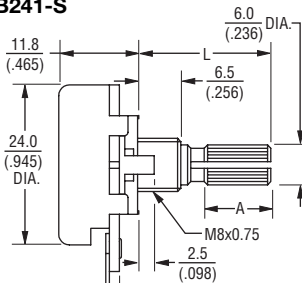


Product Dimensions

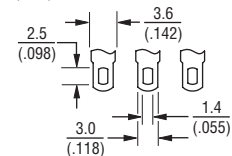
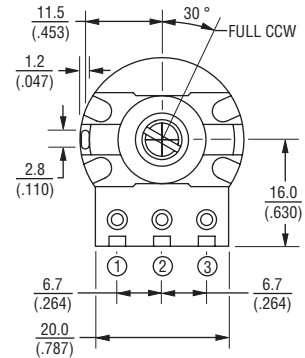
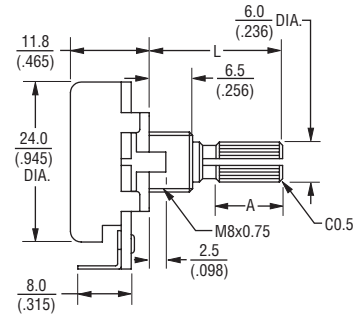
PDB241-D



PDB241-S



PDB241-E

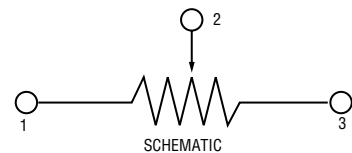


DIMENSIONS: $\frac{\text{MM}}{\text{(INCHES)}}$

TOLERANCES:

UNDER 10.0 = ±0.3
(.394) (±.012)

10.0 - 100 = ±0.5
(.394 - 3.937) (±.020)



*RoHS Directive 2002/95/EC Jan 27 2003 including Annex Specifications are subject to change without notice. Customers should verify actual device performance in their specific applications.

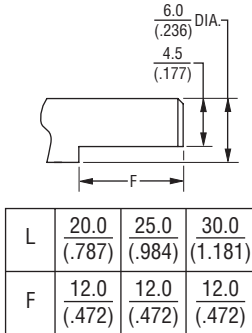
Applications

- Various commercial applications
- Electric guitars
- Sound processing equipment
- Guitar and sound system amplifiers
- Appliances

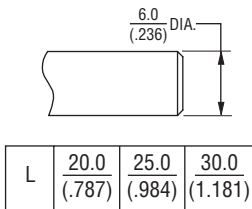
PDB24 Series - 24 mm Rotary Potentiometer BOURNS®

Product Dimensions

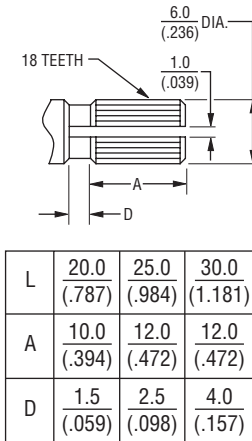
F Type



P Type



K Type



DIMENSIONS: $\frac{\text{MM}}{\text{(INCHES)}}$

How To Order

PDB24 1 - E 4 25 K - 103 A2

Model

No. of Sections

- 1 = Single Section/Standard Rotational Life
- 2 = Single Section/High Rotational Life

Terminal Configuration (Pin Layout) (see individual drawings)

- E = Solder Lugs Rear Facing
- S = Solder Lugs Down Facing
- D = PC Pins Front Facing

Detent Option

- 2 = Center Detent
- 4 = No Detents

Standard Shaft Length

- 20 = 20 mm
- 25 = 25 mm
- 30 = 30 mm

Shaft Style

- K = Metal Knurled Type Shaft 18 Toothed Serration Type
- F = Metal Flatted Shaft
- P = Metal Plain Shaft

Resistance Code (See Table)

Resistance Taper (See Taper Chart)

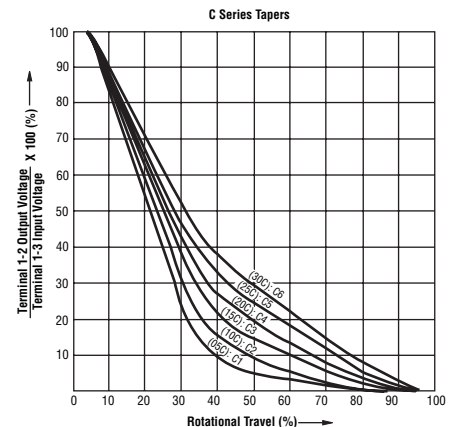
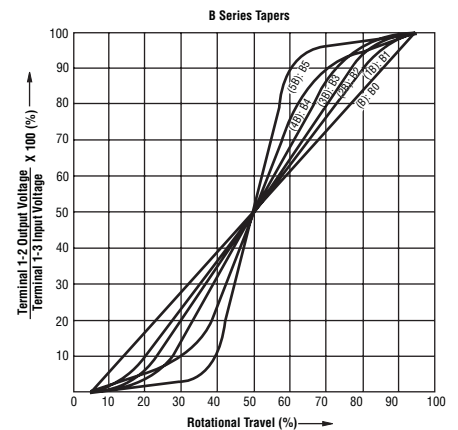
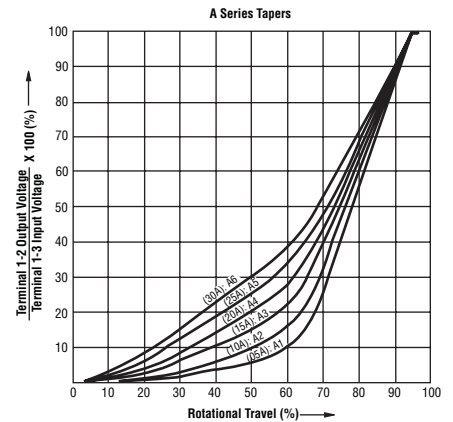
Taper Series followed by Curve Number

Other styles available.

Standard Resistance Table

Resistance (Ohms)	Resistance Code
1,000	102
2,000	202
5,000	502
10,000	103
20,000	203
50,000	503
100,000	104
200,000	204
250,000	254
500,000	504
1,000,000	105

Tapers



REV. 08/10

Specifications are subject to change without notice. Customers should verify actual device performance in their specific applications.