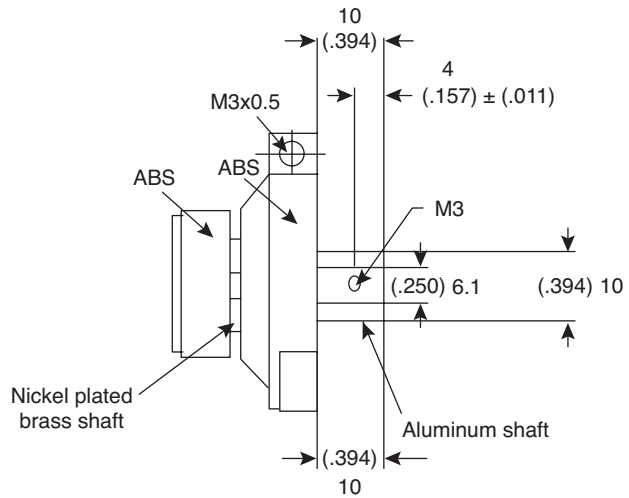
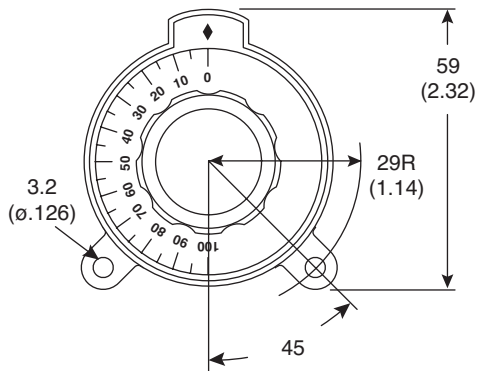
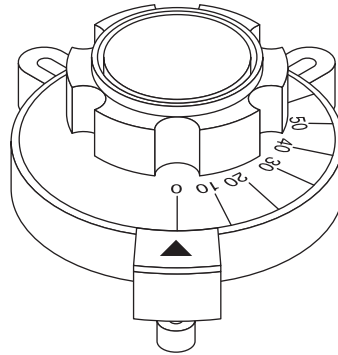


Date Last Revised: 6-27-05



Dimensions: mm (In.)

SPECIFICATIONS	
Acceptable shaft size:	.25"
Graduated:	0-100 (10)
Rotation:	180°
Ratio:	6.3 to 1-0: 1

Available from Mouser Electronics
 1-800-346-6873
 www.mouser.com

EPD-200245

Specifications are subject to change without notice. No liability or warranty implied by this information. Environmental compliance based on producer documentation.