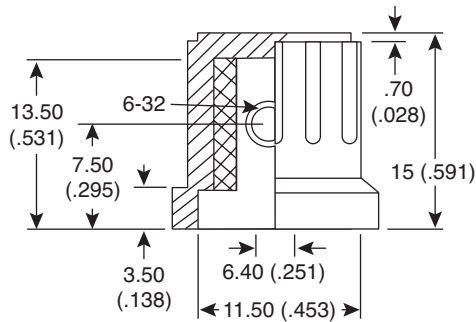
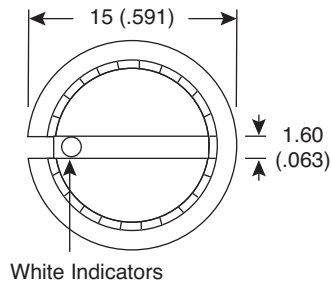


Date Last Revised: 6/30/05



Dimensions: mm (In.)

SPECIFICATIONS	
Material:	ABS
Tolerance:	±.20mm

Available from Mouser Electronics
 1-800-346-6873
 www.mouser.com

EPD-200222

Specifications are subject to change without notice. No liability or warranty implied by this information. Environmental compliance based on producer documentation.