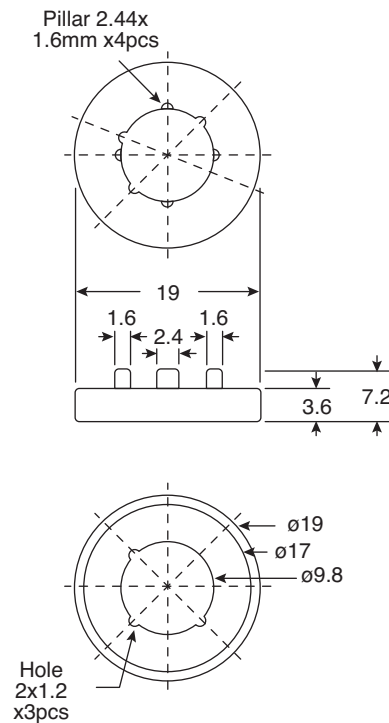
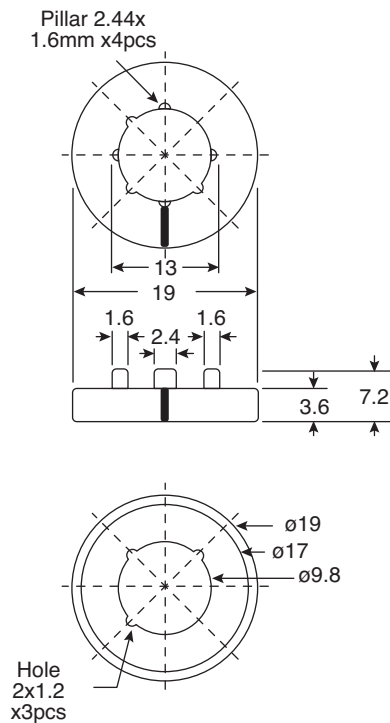


With Line

Without Line



Dimensions: mm

Part Number	Color	Marking	Marking Color
450-NC151	Red	Plain	-
450-NC155	Gray	Plain	-
450-NC156	Black	Plain	-
450-NCL151	Red	Line	White
450-NCL155	Gray	Line	Black
450-NCL156	Black	Line	White

SPECIFICATIONS	
Material:	Plastic
Tolerance:	+/-0.20
Markings:	Plain, Line
Fits Knobs:	450-CK1532, 450-1560, 450-1564, 450-CKL560, 450-CKL564

Available from Mouser Electronics
1-800-346-6873 / www.mouser.com

EPD-200805

Specifications are subject to change without notice. No liability or warranty implied by this information. Environmental compliance based on producer documentation.