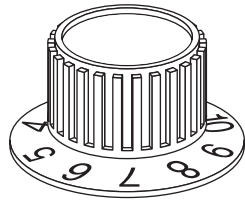
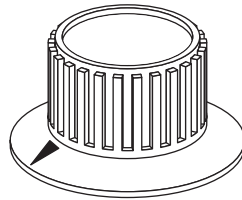


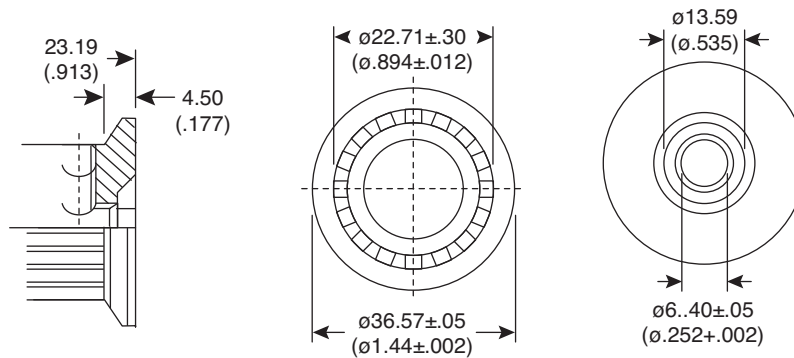
Date Last Revised: 5/27/09



45KN021-GRX
(0-10 Scale)



45KN022-GRX



Dimensions: mm (in.)

SPECIFICATIONS	
Type:	control & instrument
Material:	phenolic
Color:	black
Insert:	Zinc
Fitting type:	screw (M4 x .7 x 8mm)(Brass)
RoHS Compliant by Exemption	

Available from Mouser Electronics
1-800-346-6873
www.mouser.com

EPD-200543

Specifications are subject to change without notice. No liability or warranty implied by this information. Environmental compliance based on producer documentation.