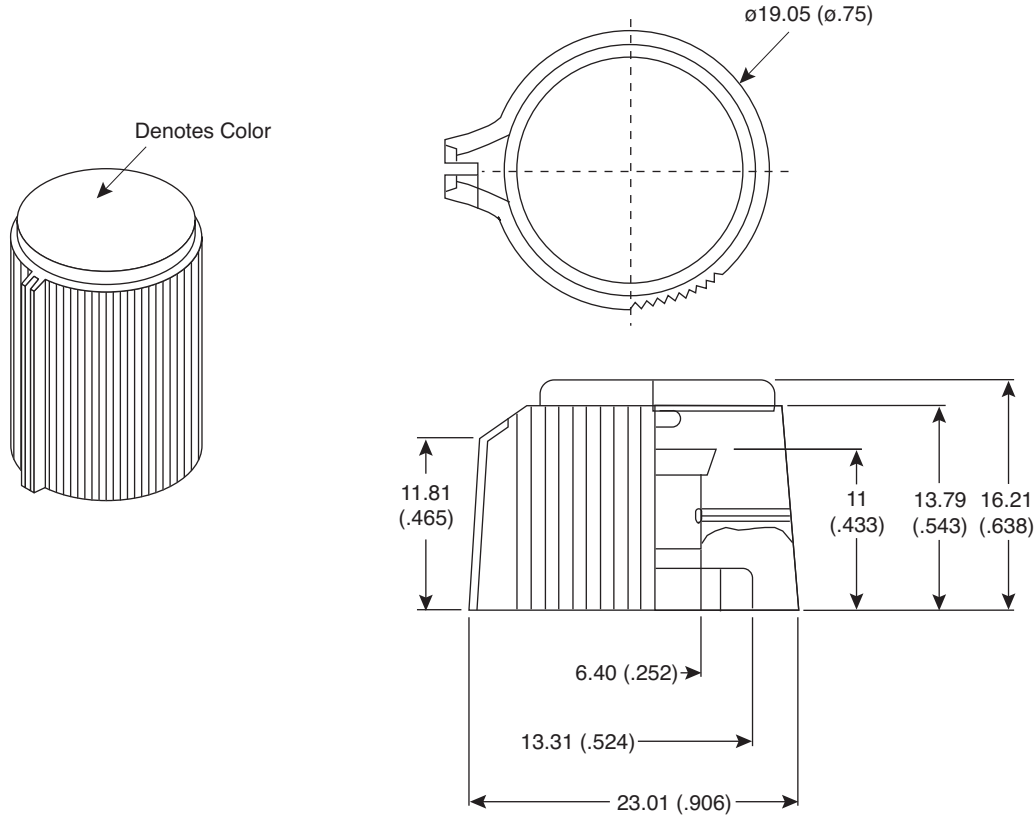


High Visibility Color Knobs

450-3180-GRX, 450-3181-GRX,
450-3182-GRX, 450-3183-GRX

Date Last Revised: 11-17-08



Dimensions: mm (in.)

| SPECIFICATIONS | |
|-----------------------------|--|
| Material of Body: | Phenolic resin |
| Color of Body: | Black |
| Indicator Type: | Painted white line |
| Insert: | Zinc |
| Shaft: | .25" |
| Colors (Top of Knob): | 450-3180-GRX (Green), 450-3181-GRX (Red), 450-3182-GRX (Yellow), 450-3183-GRX (Blue) |
| RoHS Compliant by Exemption | |

Available from Mouser Electronics
1-800-346-6873 / www.mouser.com

EPD-200533

Specifications are subject to change without notice. No liability or warranty implied by this information. Environmental compliance based on producer documentation.