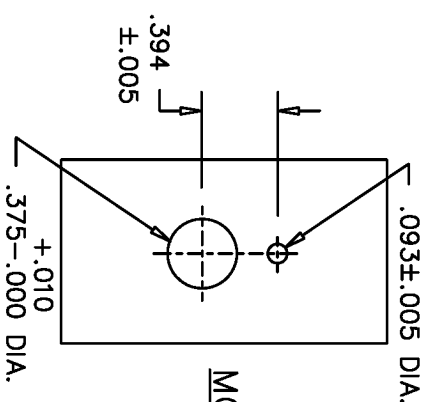


THIS DOCUMENT CONTAINS PROPRIETARY DATA OF POLARIS INDUSTRIAL ENTERPRISES, INC. NO DISCLOSURE, REPRODUCTION, OR USE OF ANY PART THERE OF MAY BE MADE EXCEPT BY WRITTEN PERMISSION.

REV.	BY	DATE	APPRVL.	P/N	MB25
B	DMS	5/12/98		ADDED MODEL CHART	

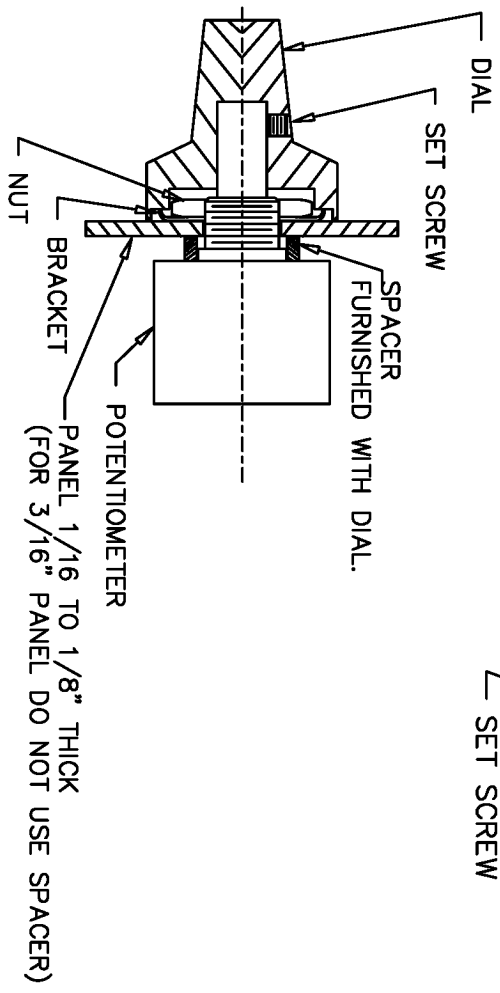
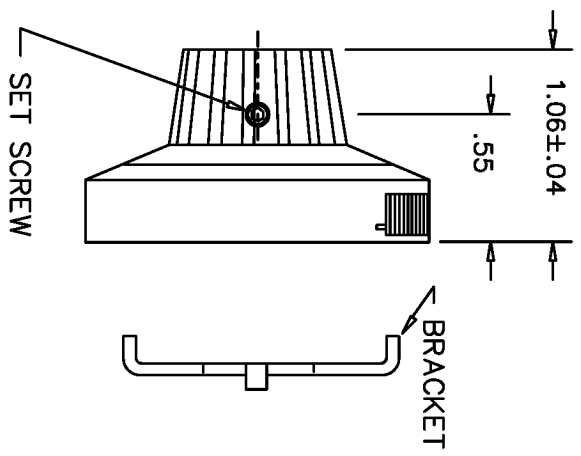
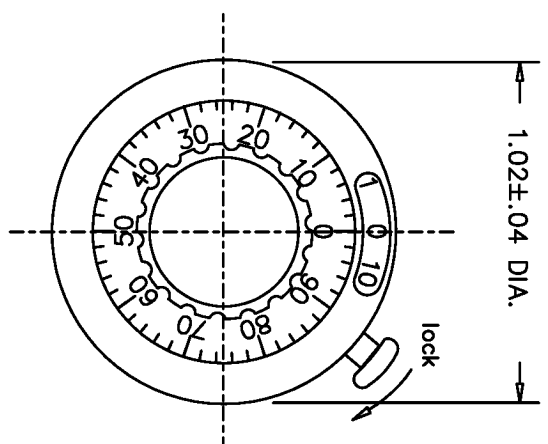


MOUNTING METHOD

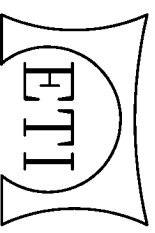
SPECIFICATIONS

NUMBER OF TURNS _____ UP TO 10
 NUMBER OF GRADUATIONS _____ 50 PER TURN
 SHAFT MTG. DIA. _____ SEE CHART
 LOCK DEVICE _____ OVER THE CENTER ACTION
 OPERATING TEMPERATURE _____ -30°C TO +60°C

MODEL	MATCHING SHAFT SIZE	COLOR	LOCK
MB25N-1/8	1/8	SATIN (WHITE NUMBERS)	
MB25N-1/4	1/4	SATIN (WHITE NUMBERS)	NO
MB25N-6MM	6MM	SATIN (WHITE NUMBERS)	
MBA25N-1/8	1/8	BLACK (WHITE NUMBERS)	NO
MBA25N-1/4	1/4	BLACK (WHITE NUMBERS)	
MBA25N-6MM	6MM	BLACK (WHITE NUMBERS)	
MB25L-1/8	1/8	SATIN (WHITE NUMBERS)	
MB25L-1/4	1/4	SATIN (WHITE NUMBERS)	YES
MB25L-6MM	6MM	SATIN (WHITE NUMBERS)	
MBA25L-1/8	1/8	BLACK (WHITE NUMBERS)	YES
MBA25L-1/4	1/4	BLACK (WHITE NUMBERS)	
MBA25L-6MM	6MM	BLACK (WHITE NUMBERS)	



THIS DOCUMENT CONTAINS PROPRIETARY DATA OF POLARIS INDUSTRIAL ENTERPRISES, INC. NO DISCLOSURE, REPRODUCTION, OR USE OF ANY PART THERE OF MAY BE MADE EXCEPT BY WRITTEN PERMISSION.



CARISBAD CALIFORNIA

TOLERANCES	
XX = +/- .010" FRACT. = +/- 1/64"	
XXX = +/- .005" ANGLES = +/- 1/2°	
ALL SPECIFICATIONS SUBJECT TO CHANGE WITHOUT NOTICE.	
SCALE	NONE
DATE:	8-6-86
BY	
APPRVD	BT
CODE IDENT:	19477

TITLE
 CONCENTRIC
 TURNS COUNTING DIAL

PART NO.
 MB25