



Features

- Formerly *J.W. Miller* model
- Height of 3.0 mm max.
- Current rating up to 2.0 A
- RoHS compliant*

Applications

- Input/output of DC/DC converters
- Industrial electronics
- Power supplies for:
 - Portable communications equipment
 - Camcorders
 - LCD TVs
 - Car radios

PM3308 Series - SMD Power Inductors

Electrical Specifications

| Bourns Part No. | Inductance 100 kHz | | Test Frequency (MHz) | DCR Max. (Ω) | I _{rms} (A) | I _{sat} (A) |
|-----------------|--------------------|----------|----------------------|-----------------------|----------------------|----------------------|
| | (μ H) | Tol. (%) | | | | |
| PM3308-100M-RC | 10 | ±20 | 2.52 | 0.11 | 2.00 | 2.40 |
| PM3308-150M-RC | 15 | ±20 | 2.52 | 0.15 | 1.50 | 2.00 |
| PM3308-220M-RC | 22 | ±20 | 2.52 | 0.23 | 1.30 | 1.60 |
| PM3308-330M-RC | 33 | ±20 | 2.52 | 0.30 | 1.10 | 1.40 |
| PM3308-470M-RC | 47 | ±20 | 2.52 | 0.39 | 0.80 | 1.00 |
| PM3308-680M-RC | 68 | ±20 | 2.52 | 0.7 | 0.70 | 0.90 |
| PM3308-101M-RC | 100 | ±20 | 0.796 | 0.8 | 0.60 | 0.70 |
| PM3308-151M-RC | 150 | ±20 | 0.796 | 1.2 | 0.50 | 0.60 |
| PM3308-221M-RC | 220 | ±20 | 0.796 | 1.9 | 0.40 | 0.50 |
| PM3308-331M-RC | 330 | ±20 | 0.796 | 2.7 | 0.30 | 0.40 |
| PM3308-471M-RC | 470 | ±20 | 0.796 | 4.0 | 0.20 | 0.30 |
| PM3308-681M-RC | 680 | ±20 | 0.796 | 5.3 | 0.10 | 0.20 |
| PM3308-102M-RC | 1000 | ±20 | 0.252 | 8.4 | 0.05 | 0.10 |

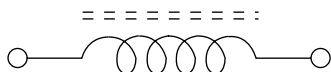
General Specifications

Test Voltage.....0.1 V
 Reflow Soldering230 °C; 50 sec max.
 Operating Temperature ..-55 °C to +125 °C
 (Temperature rise included)
 Storage Temperature..-55 °C to +125 °C
 Resistance to Soldering Heat
260 °C, 10 sec. max.

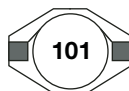
Materials

Core.....Ferrite
 Wire.....Enameled copper
 Terminal.....Sn/Ni/Cu
 Rated Current
Ind. drop 10 % typ. at I_{sat}
 Temperature Rise
30 °C typical at I_{rms}
 Packaging.....1000 pcs. per reel

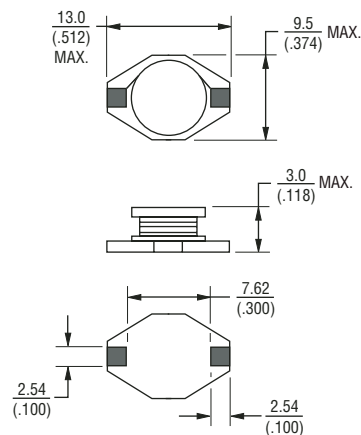
Electrical Schematic



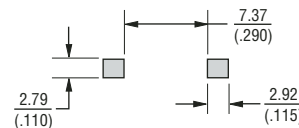
Typical Part Marking



Product Dimensions



Recommended Layout



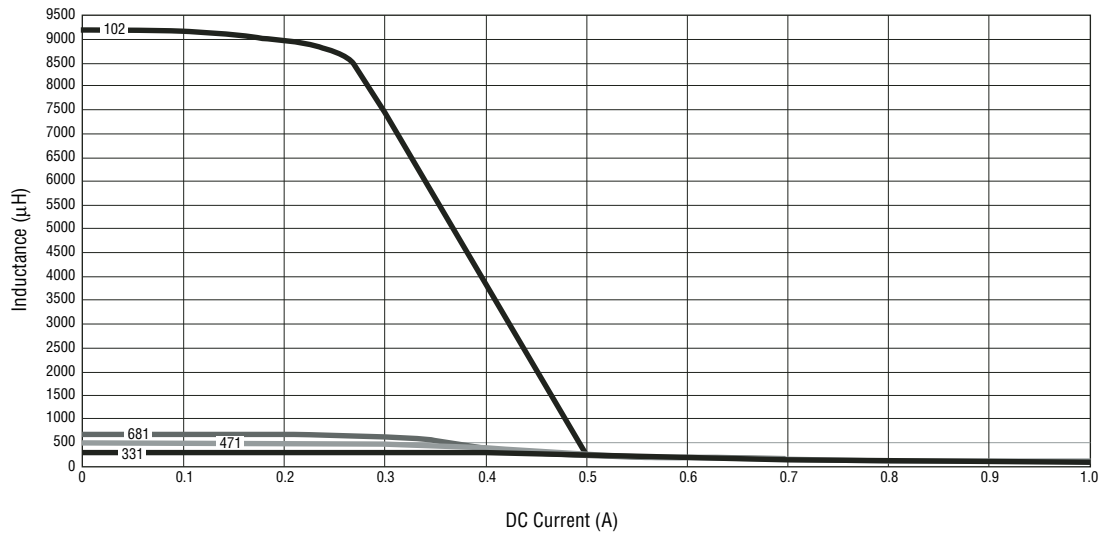
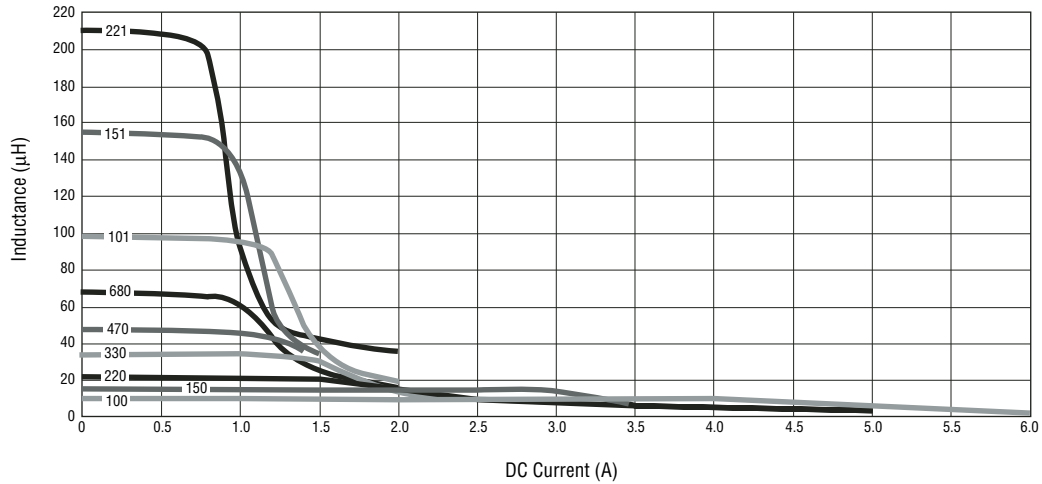
DIMENSIONS: $\frac{\text{MM}}{\text{(INCHES)}}$

*RoHS Directive 2002/95/EC Jan 27 2003 including Annex
 Specifications are subject to change without notice.
 Customers should verify actual device performance in their specific applications.

PM3308 Series - SMD Power Inductors

BOURNS®

Inductance vs. Current

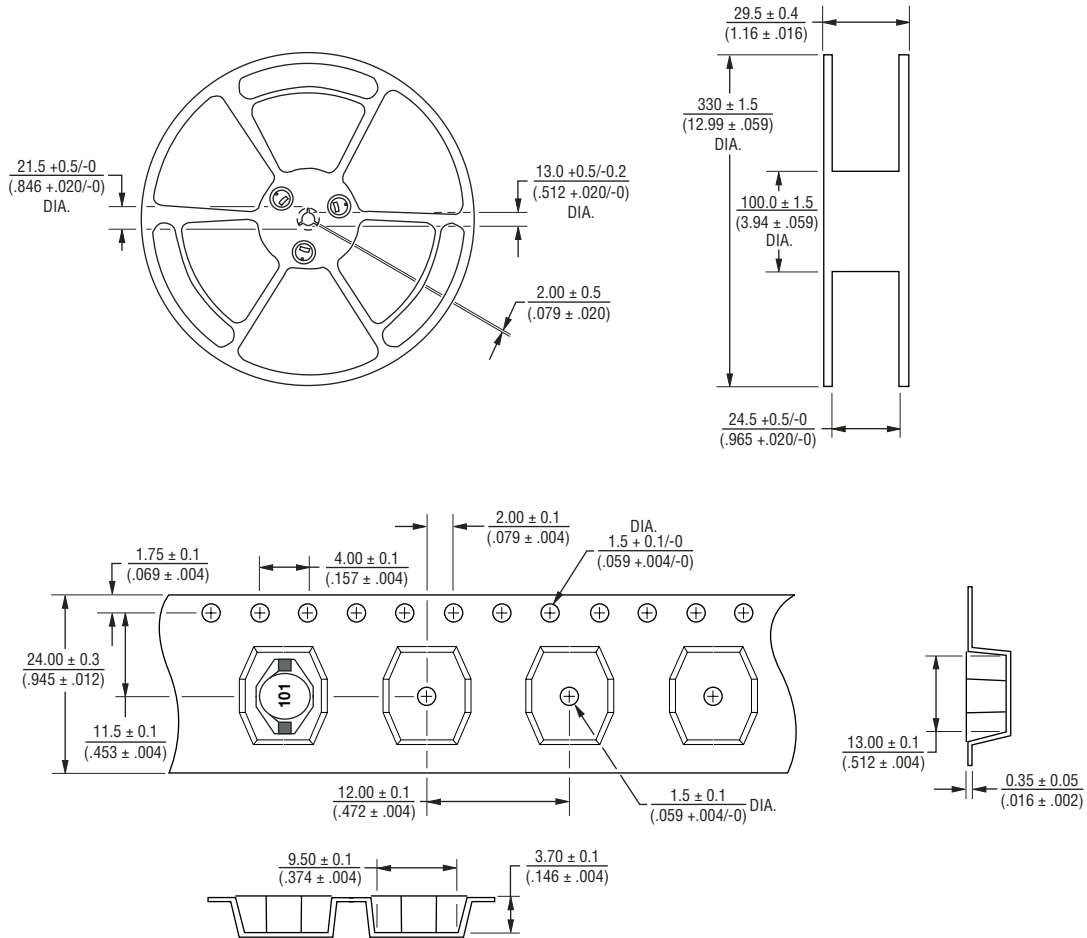


Specifications are subject to change without notice. Customers should verify actual device performance in their specific applications.

PM3308 Series - SMD Power Inductors

BOURNS®

Packaging Specifications



QTY: 1000 PCS. PER REEL

DIMENSIONS: $\frac{\text{MM}}{\text{(INCHES)}}$