



Features

- Formerly *J.W. Miller* model
- Height of 3.0 mm max.
- Current rating up to 2.0 A
- RoHS compliant*

Applications

- Input/output of DC/DC converters
- Industrial electronics
- Power supplies for:
 - Portable communications equipment
 - Camcorders
 - LCD TVs
 - Car radios

PM3308 Series - SMD Power Inductors

Electrical Specifications

Bourns Part No.	Inductance 100 kHz		Test Frequency (MHz)	DCR Max. (Ω)	I _{rms} (A)	I _{sat} (A)
	(μ H)	Tol. (%)				
PM3308-100M-RC	10	± 20	2.52	0.11	2.00	2.40
PM3308-150M-RC	15	± 20	2.52	0.15	1.50	2.00
PM3308-220M-RC	22	± 20	2.52	0.23	1.30	1.60
PM3308-330M-RC	33	± 20	2.52	0.30	1.10	1.40
PM3308-470M-RC	47	± 20	2.52	0.39	0.80	1.00
PM3308-680M-RC	68	± 20	2.52	0.7	0.70	0.90
PM3308-101M-RC	100	± 20	0.796	0.8	0.60	0.70
PM3308-151M-RC	150	± 20	0.796	1.2	0.50	0.60
PM3308-221M-RC	220	± 20	0.796	1.9	0.40	0.50
PM3308-331M-RC	330	± 20	0.796	2.7	0.30	0.40
PM3308-471M-RC	470	± 20	0.796	4.0	0.20	0.30
PM3308-681M-RC	680	± 20	0.796	5.3	0.10	0.20
PM3308-102M-RC	1000	± 20	0.252	8.4	0.05	0.10

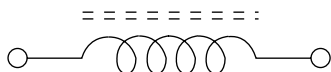
General Specifications

Test Voltage.....0.1 V
 Reflow Soldering230 °C; 50 sec max.
 Operating Temperature ..-55 °C to +125 °C
 (Temperature rise included)
 Storage Temperature..-55 °C to +125 °C
 Resistance to Soldering Heat
260 °C, 10 sec. max.

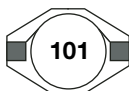
Materials

Core.....Ferrite
 Wire.....Enameled copper
 Terminal.....Sn/Ni/Cu
 Rated Current
Ind. drop 10 % typ. at I_{sat}
 Temperature Rise
30 °C typical at I_{rms}
 Packaging.....1000 pcs. per reel

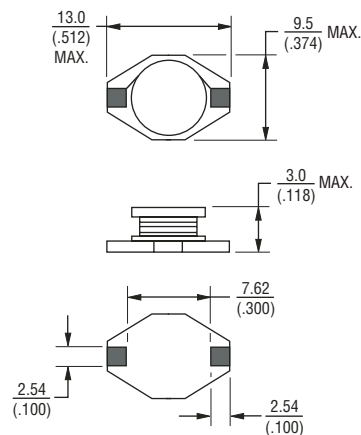
Electrical Schematic



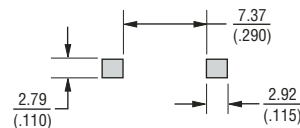
Typical Part Marking



Product Dimensions



Recommended Layout



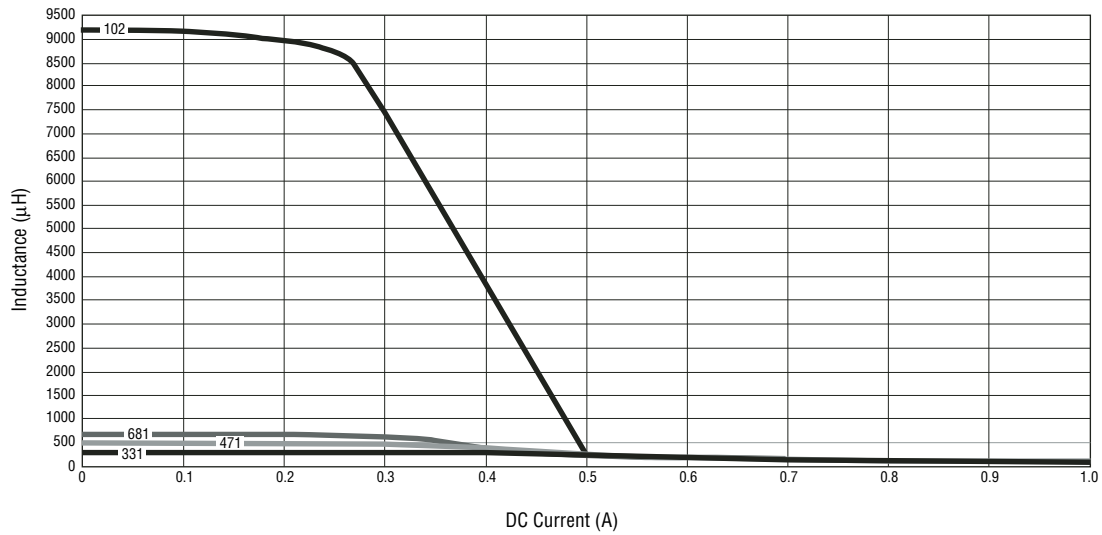
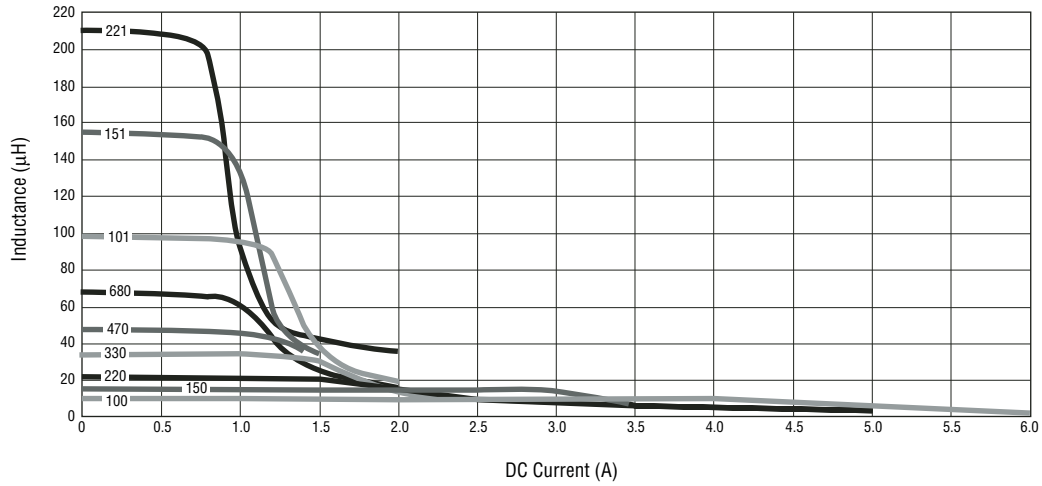
DIMENSIONS: $\frac{\text{MM}}{\text{(INCHES)}}$

*RoHS Directive 2002/95/EC Jan 27 2003 including Annex
 Specifications are subject to change without notice.
 Customers should verify actual device performance in their specific applications.

PM3308 Series - SMD Power Inductors

BOURNS[®]

Inductance vs. Current

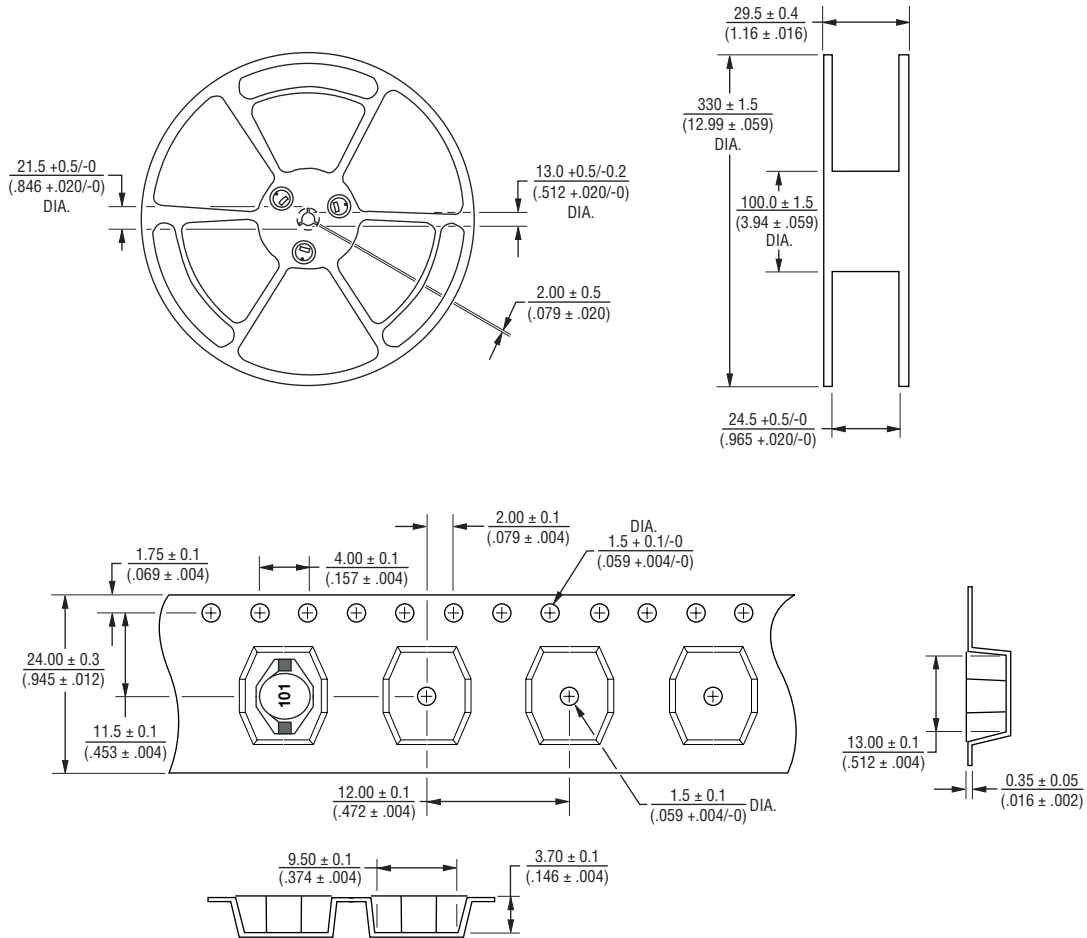


Specifications are subject to change without notice. Customers should verify actual device performance in their specific applications.

PM3308 Series - SMD Power Inductors

BOURNS®

Packaging Specifications



QTY: 1000 PCS. PER REEL

DIMENSIONS: $\frac{\text{MM}}{\text{(INCHES)}}$