



## Features

- Formerly *J.W. Miller* model
- Height of 3.0 mm max.
- Current rating up to 2.0 A
- RoHS compliant\*

## Applications

- Input/output of DC/DC converters
- Industrial electronics
- Power supplies for:
  - Portable communications equipment
  - Camcorders
  - LCD TVs
  - Car radios

# PM3308 Series - SMD Power Inductors

### Electrical Specifications

Bourns Part No.	Inductance 100 kHz		Test Frequency (MHz)	DCR Max. ( $\Omega$ )	I <sub>rms</sub> (A)	I <sub>sat</sub> (A)
	( $\mu$ H)	Tol. (%)				
PM3308-100M-RC	10	$\pm 20$	2.52	0.11	2.00	2.40
PM3308-150M-RC	15	$\pm 20$	2.52	0.15	1.50	2.00
PM3308-220M-RC	22	$\pm 20$	2.52	0.23	1.30	1.60
PM3308-330M-RC	33	$\pm 20$	2.52	0.30	1.10	1.40
PM3308-470M-RC	47	$\pm 20$	2.52	0.39	0.80	1.00
PM3308-680M-RC	68	$\pm 20$	2.52	0.7	0.70	0.90
PM3308-101M-RC	100	$\pm 20$	0.796	0.8	0.60	0.70
PM3308-151M-RC	150	$\pm 20$	0.796	1.2	0.50	0.60
PM3308-221M-RC	220	$\pm 20$	0.796	1.9	0.40	0.50
PM3308-331M-RC	330	$\pm 20$	0.796	2.7	0.30	0.40
PM3308-471M-RC	470	$\pm 20$	0.796	4.0	0.20	0.30
PM3308-681M-RC	680	$\pm 20$	0.796	5.3	0.10	0.20
PM3308-102M-RC	1000	$\pm 20$	0.252	8.4	0.05	0.10

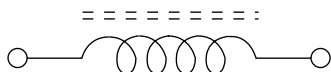
### General Specifications

Test Voltage.....0.1 V  
 Reflow Soldering ....230 °C; 50 sec max.  
 Operating Temperature ..-55 °C to +125 °C  
 (Temperature rise included)  
 Storage Temperature..-55 °C to +125 °C  
 Resistance to Soldering Heat  
 .....260 °C, 10 sec. max.

### Materials

Core.....Ferrite  
 Wire.....Enameled copper  
 Terminal.....Sn/Ni/Cu  
 Rated Current  
 .....Ind. drop 10 % typ. at I<sub>sat</sub>  
 Temperature Rise  
 .....30 °C typical at I<sub>rms</sub>  
 Packaging.....1000 pcs. per reel

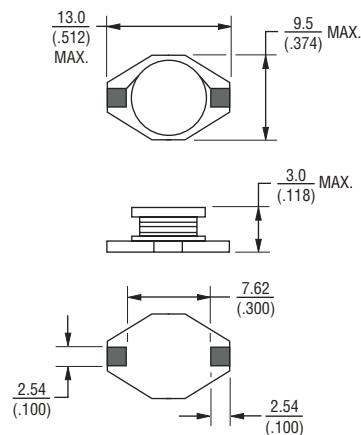
### Electrical Schematic



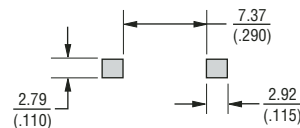
### Typical Part Marking



### Product Dimensions



### Recommended Layout



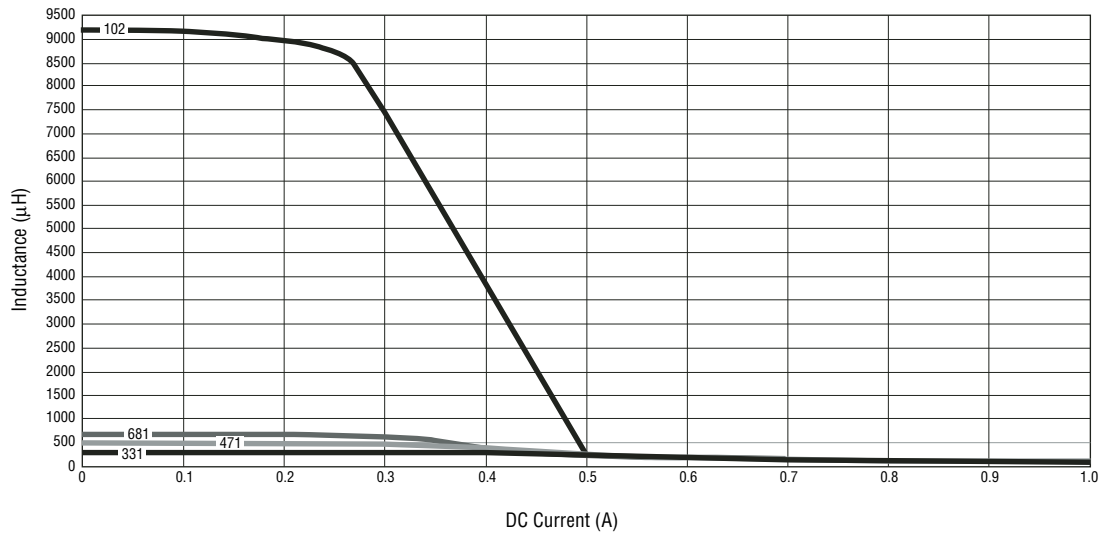
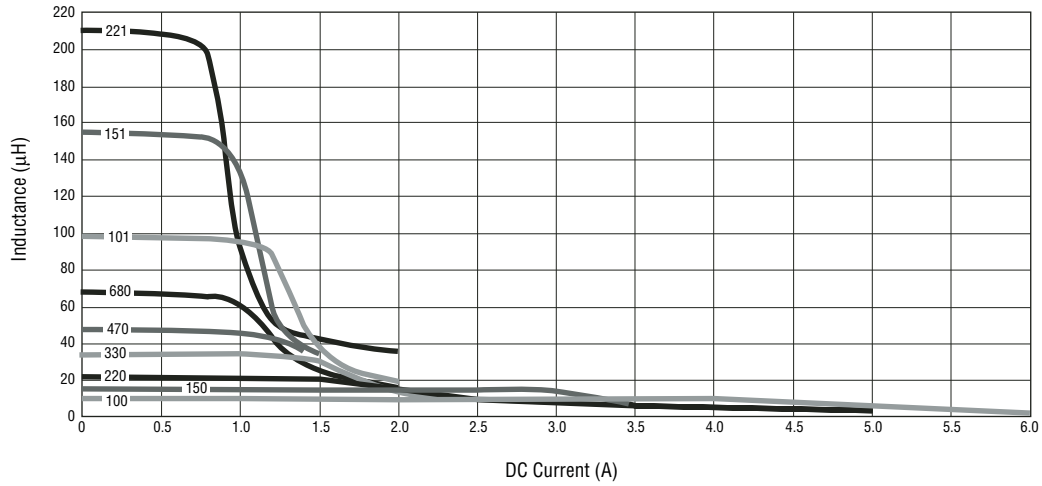
DIMENSIONS:  $\frac{\text{MM}}{\text{(INCHES)}}$

\*RoHS Directive 2002/95/EC Jan 27 2003 including Annex  
 Specifications are subject to change without notice.  
 Customers should verify actual device performance in their specific applications.

# PM3308 Series - SMD Power Inductors

**BOURNS**®

## Inductance vs. Current

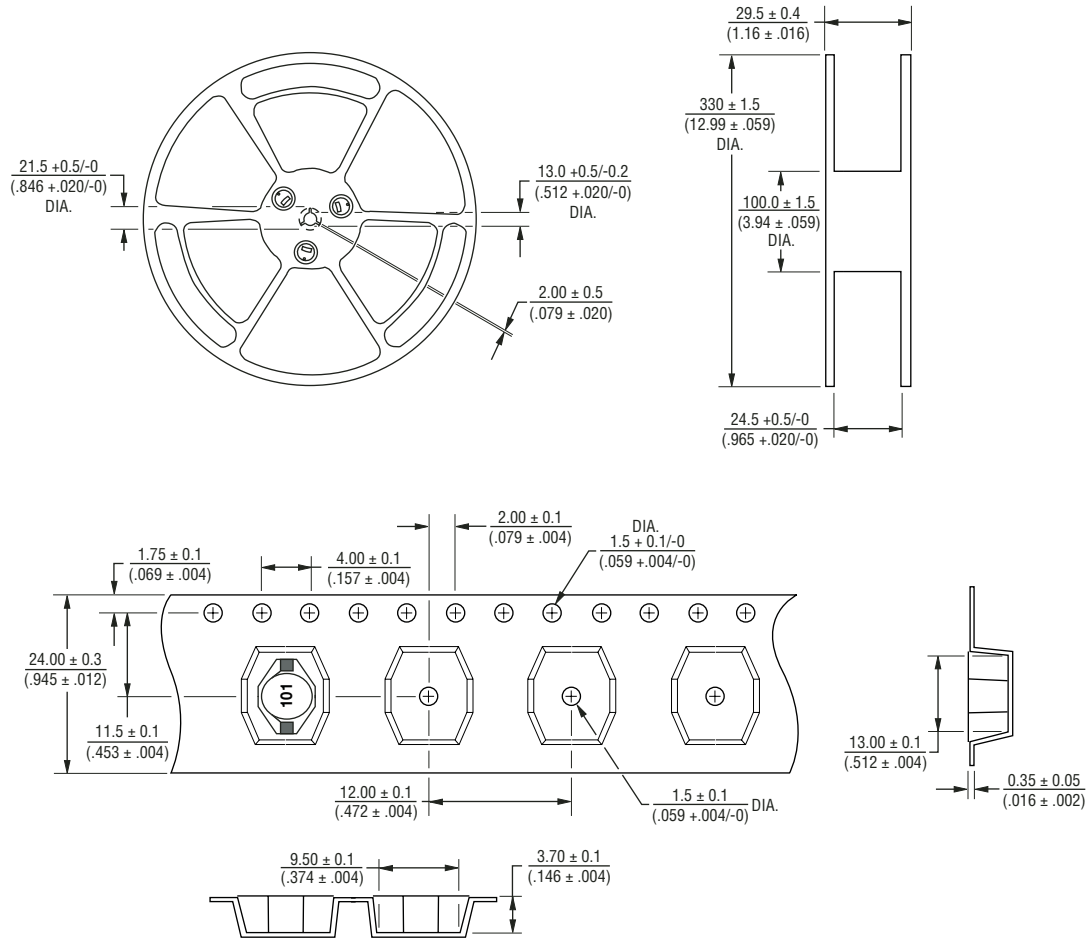


Specifications are subject to change without notice. Customers should verify actual device performance in their specific applications.

# PM3308 Series - SMD Power Inductors

**BOURNS®**

## Packaging Specifications



QTY: 1000 PCS. PER REEL

DIMENSIONS:  $\frac{\text{MM}}{\text{(INCHES)}}$