

5. Shielded Type SC, SA



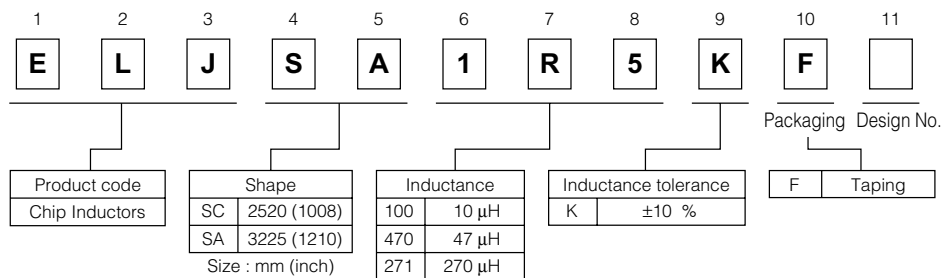
■ Features

- Magnetic shield effect using ferrite mixed within outer molding.
- Capable of being Re-flow or flow soldered.
- Good for mounting.

■ Recommended Applications

- AV equipment, Wireless communication equipment and various types of general electronic equipment.

■ Explanation of Part Numbers



■ Storage Conditions

- Package : Normal temperature (-5 to 35 °C), normal humidity (85 %RH max.), shall not be exposed to direct sunlight and harmful gases and care should be taken so as not to cause dew.
- Operating Temperature : -20 to +85 °C

■ Storage Period

- Solderability may be reduced due to the conditions of high temperature and high humidity which causes the oxidation of tin-plated terminals. Even if storage conditions are within specified limits, solderability may be reduced with the passage of time. Therefore, please control the storage conditions and try to use the product within 6 months of receipt.

■ Packaging Refer 27 and 28 page.

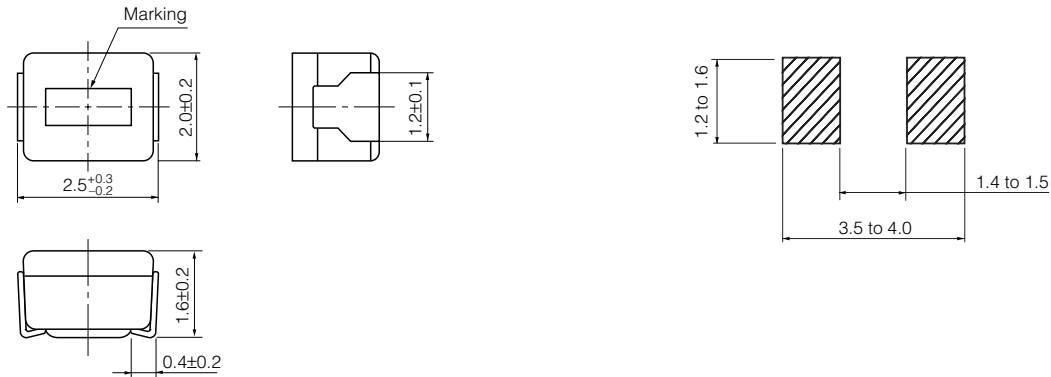
■ Soldering Conditions Refer 29 page.

■ Safety Precautions Refer 30 page.

■ SC Type 2520 (1008)

● Dimensions in mm (not to scale)

● Recommended Land Pattern in mm (not to scale)



■ Standard Packing Quantity

● 2000 pcs./Reel

■ Standard Parts

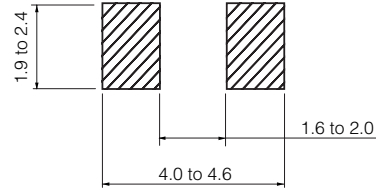
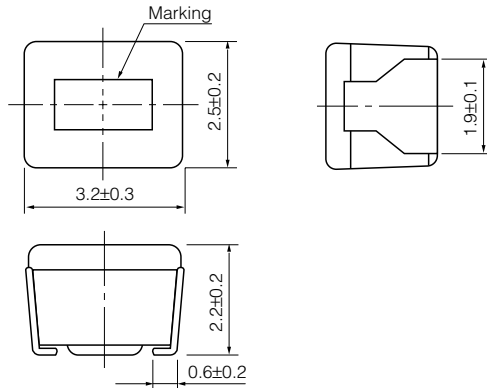
| Part No. | Inductance | | | Q | | SRF *1 (MHz) min. | R _{DC} *2 (Ω) max. | DC Current (mA) max. |
|------------|------------|-----------------------------|---------------------|-------|---------------------|----------------------|--------------------------------|-------------------------|
| | (μH) | Tolerance (%) | Test Freq. (MHz) | min. | Test Freq. (MHz) | | | |
| ELJSC270□F | 27 | K : ±10 % or J : ±5 % | 2.52 | 40 | 2.52 | 20 | 4.50 | 18 |
| ELJSC330□F | 33 | | | | | 18 | 5.20 | 14 |
| ELJSC390□F | 39 | | | | | 15 | 5.70 | 13 |
| ELJSC470□F | 47 | | | | | 14 | 6.60 | 12 |
| ELJSC560□F | 56 | | | | | 13 | 7.10 | 10 |
| ELJSC680□F | 68 | | | | | 13 | 6.50 | 17 |
| ELJSC820□F | 82 | | | 13 | 7.40 | 14 | | |
| ELJSC101□F | 100 | | | 0.796 | 25 | 0.796 | 12 | 8.40 |

□ : Symbol of Tolerance *1 : Self Resonant Frequency *2 : DC Resistance

■ SA Type 3225 (1210)

● Dimensions in mm (not to scale)

● Recommended Land Pattern in mm (not to scale)



■ Standard Packing Quantity

● 2000 pcs./Reel

■ Standard Parts

| Part No. | Inductance | | | Q | | SRF *1 (MHz) min. | R _{bc} *2 (Ω) max. | DC Current (mA) max. |
|------------|------------|------------------|---------------------|------|---------------------|----------------------|--------------------------------|-------------------------|
| | (μH) | Tolerance (%) | Test Freq. (MHz) | min. | Test Freq. (MHz) | | | |
| ELJSA100KF | 10 | K : ±10 % | 1 | 40 | 5 | 30 | 1.8 | 18 |
| ELJSA120KF | 12 | | | | | 28 | 2.0 | 17 |
| ELJSA150KF | 15 | | | | | 25 | 2.2 | 15 |
| ELJSA180KF | 18 | | | | | 23 | 2.5 | 13 |
| ELJSA220KF | 22 | | | | | 20 | 2.8 | 12 |
| ELJSA270KF | 27 | | | | | 18 | 3.2 | 10 |
| ELJSA330KF | 33 | | | | | 17 | 3.5 | 10 |
| ELJSA390KF | 39 | | | | | 15 | 3.8 | 9 |
| ELJSA470KF | 47 | | | | | 14 | 4.0 | 8 |
| ELJSA560KF | 56 | | | | | 13 | 4.5 | 7 |
| ELJSA680KF | 68 | | 12 | 5.0 | 6 | | | |
| ELJSA820KF | 82 | | 11 | 6.0 | 6 | | | |
| ELJSA101KF | 100 | | 10 | 7.0 | 5 | | | |
| ELJSA121KF | 120 | | 9 | 8.0 | 5 | | | |
| ELJSA151KF | 150 | | 5 | 9.0 | 5 | | | |
| ELJSA181KF | 180 | | 5 | 11.0 | 5 | | | |
| ELJSA221KF | 220 | | 4 | 12.0 | 5 | | | |
| ELJSA271KF | 270 | | 4 | 14.0 | 5 | | | |

*1 : Self Resonant Frequency *2 : DC Resistance