

SMD Choke Coils

Series: **S**
 Type: **ELL5PS**
ELL5RS-A



Type ELL5PS
 Type ELL5RS-A

■ Features

- Magnetic shielded structure
- Low DC resistance and large current capability

■ Recommended Applications

- DC-DC converter circuitry for computer peripherals and cellular phones.
- Chopper circuit decoupling chokes for DC-DC converter circuitry

■ Standard Packing Quantity

- 2000 pcs./Reel

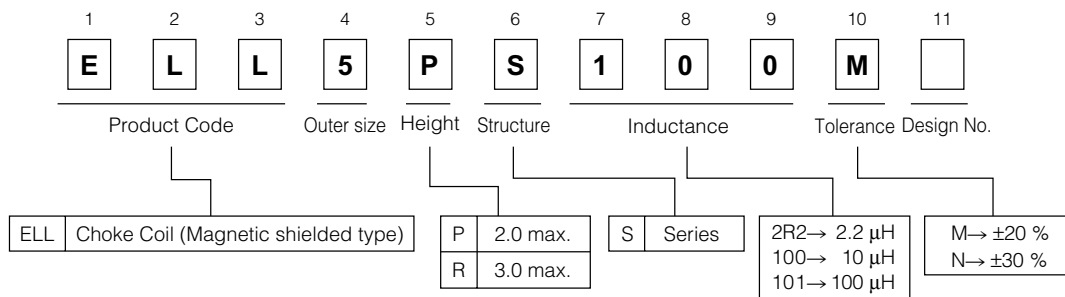
■ Soldering Conditions

Please see Page 169

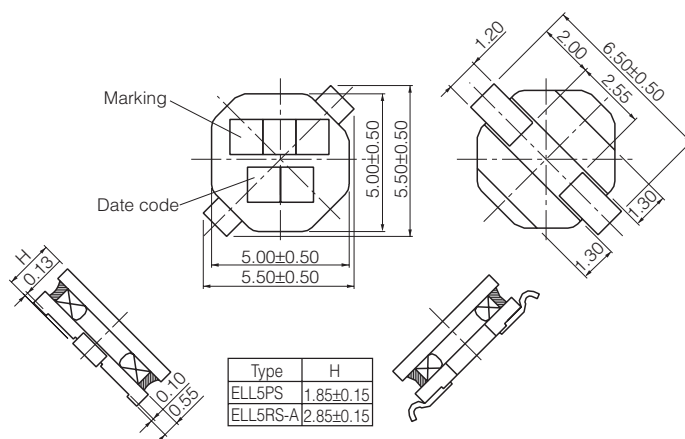
■ Safety Precautions

Please see Page 170

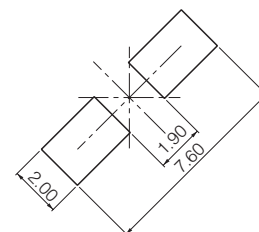
■ Explanation of Part Numbers



■ Dimensions in mm (not to scale)



■ Recommended Land Pattern in mm (not to scale)



Design and specifications are each subject to change without notice. Ask factory for the current technical specifications before purchase and/or use. Should a safety concern arise regarding this product, please be sure to contact us immediately.

00 Sep. 2010

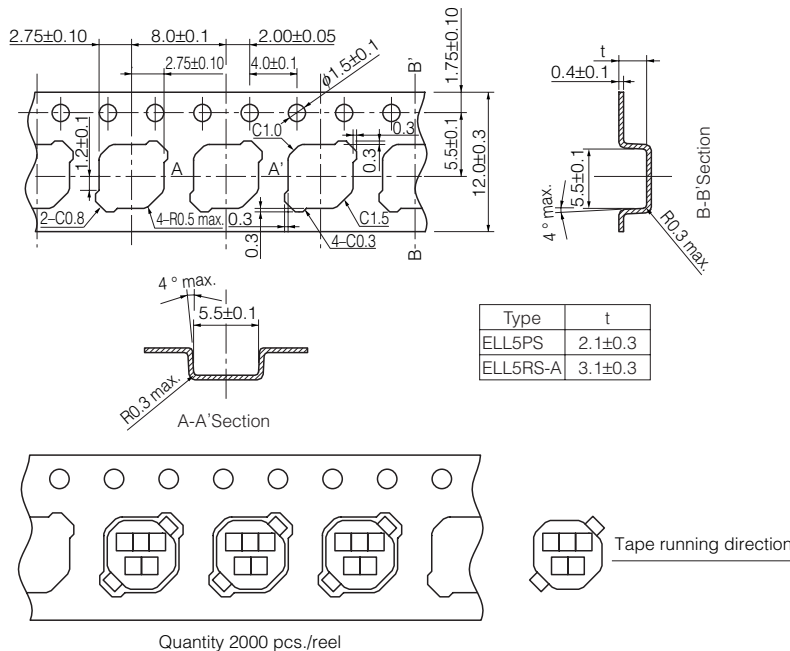
Standard Parts

Series	Part Number	Inductance (100 kHz)		R _{DC} (at 20 °C)		Saturation Rated Current* ¹ (mA max.)	Temperature Rise Current* ² (mA max.)	Marking
		(μH)	Tol.	(mΩ)	Tol.			
5PS Series	ELL5PS1R2N	1.2	±30 %	22	±20 %	2500	2500	1R2
	ELL5PS1R5N	1.5		28		2400	2400	1R5
	ELL5PS2R2N	2.2		34		2100	2100	2R2
	ELL5PS2R7N	2.7		40		2000	2050	2R7
	ELL5PS3R3N	3.3		46		1900	2000	3R3
	ELL5PS4R7N	4.7		61		1500	1600	4R7
	ELL5PS6R8N	6.8		96		1280	1280	6R8
	ELL5PS100M	10.0		120		1000	1100	100
	ELL5PS150M	15.0	170	790		1000	150	
	ELL5PS220M	22.0	290	650		750	220	
	ELL5PS330M	33.0	470	490		490	330	
	ELL5PS470M	47.0	620	450		550	470	
	ELL5PS560M	56.0	680	430		500	560	
	ELL5PS680M	68.0	750	380		480	680	
	ELL5PS820M	82.0	1160	340		360	820	
	ELL5PS101M	100.0	1320	300		340	101	
	ELL5PS221M	220.0	3450	210		210	221	
	ELL5PS331M	330.0	4700	180		180	331	
ELL5PS471M	470.0	8100	160	140	471			
ELL5PS561M	560.0	9500	150	125	561			
5RS-A Series	ELL5RS3R3NA	3.3	±30 %	50	±20 %	3200	1950	3R3
	ELL5RS4R7NA	4.7		61		2600	1750	4R7
	ELL5RS6R8NA	6.8		70		2300	1650	6R8
	ELL5RS100MA	10.0	±20 %	120		1900	1280	100
	ELL5RS220MA	22.0		200		1200	900	220
	ELL5RS330MA	33.0		270		1000	820	330
	ELL5RS470MA	47.0		440		890	610	470
	ELL5RS101MA	100.0		860		680	440	101
ELL5RS391MA	390.0	3700	440	220	391			

*1 Saturation Rated Current : This DC current which causes a 30 % inductance reduction from its nominal value.

*2 Temperature Rise Current : This indicates the value of current when temperature rise dt/t = 40 °C (at 20 °C).

Embossed Carrier Tape Dimensions in mm (not to scale)



Design and specifications are each subject to change without notice. Ask factory for the current technical specifications before purchase and/or use.
Should a safety concern arise regarding this product, please be sure to contact us immediately.

00 Sep. 2010