

### SMD Choke Coils

Series: **G**  
 Type: **ELLVEG**  
**ELLVFG-C**  
**ELLVGG**



#### ■ Features

- Magnetically shielded structure
- Low DC resistance and large current capability
- Shock resistant

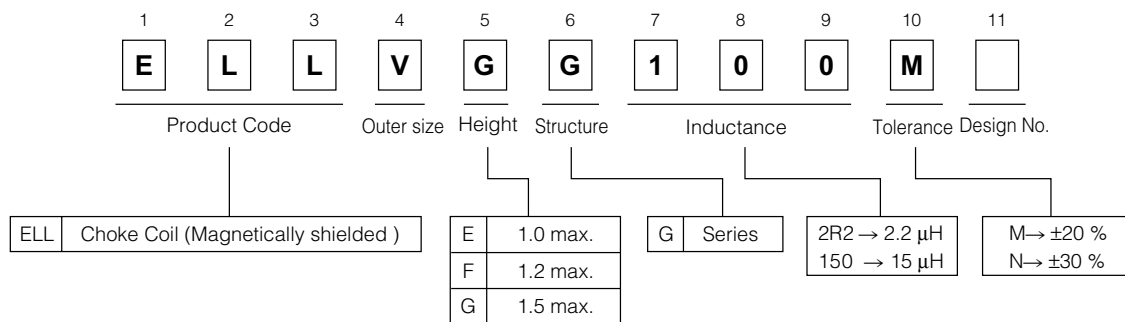
#### ■ Recommended Applications

- DC-DC converter circuitry for computer peripherals and cellular phones.
- Chopper circuit decoupling chokes for DC-DC converter circuitry.

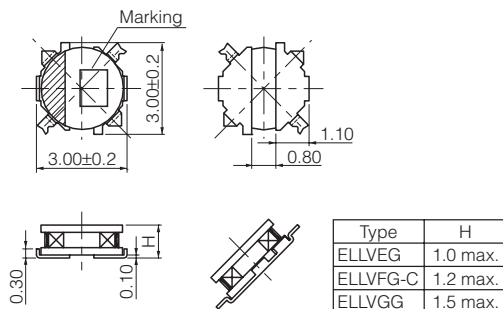
#### ■ Standard Packing Quantity

- 2000 pcs./Reel

#### ■ Explanation of Part Numbers



#### ■ Dimensions in mm (not to scale)



#### ■ Recommended land patterns in mm (not to scale)

