

Temperature Compensated Crystal Oscillators (TCXO) Surface Mount Type TCXO (LSI Type) KT3225 Series for GPS



3.2×2.5mm



RoHS Compliant

Features

- Ultra-miniature SMD type (3.2×2.5×1.0mm)
- Freq. temp. chrst. : $\pm 0.5 \times 10^{-6} / -30$ to $+85^\circ\text{C}$
- 2.3 to 3.6V drive available
- Reflow compatible

Applications

- GPS Units

How to Order

KT3225P 27456 A C W 28 T xx
① ② ③ ④ ⑤ ⑥ ⑦ ⑧

① Series	A C W 28 T xx			
② Output Frequency	28	2.8V	30	3.0V
③ Freq. Temp. Chrst.	A $\pm 0.5 \times 10^{-6}$			
④ Lower Operating Temp.	C	-30°C	E	-20°C
	G	-10°C		
⑤ Upper Operating Temp.	W	+85°C	V	+80°C
	U	+75°C		
⑥ Supply Voltage	T TCXO			
⑦ Voltage Control Range	Option Code			

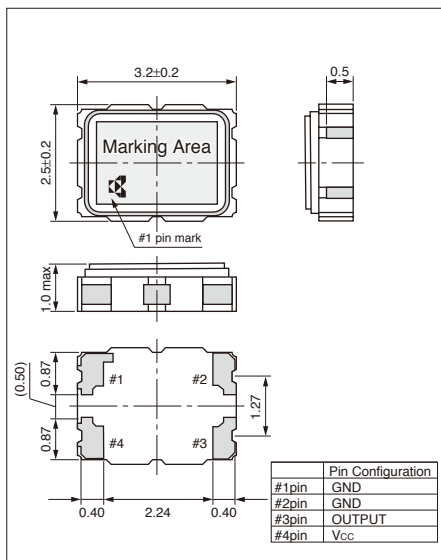
Packaging (Tape & Reel 3000 pcs./ reel)

Specifications

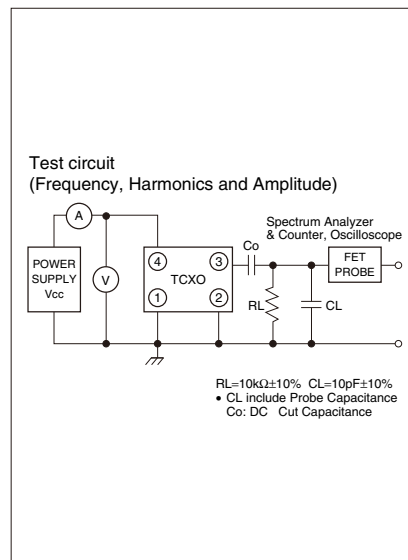
Item	Symbol	Conditions	Min.	Max.	Units
Output Frequency Range	f_o	Standard Frequency: 16.368, 16.369, 19.2, 23.104, 24.5535, 26, 27.456	—	—	MHz
Frequency Tolerance	f_{tol}	vs Temperature	-0.5	+0.5	$\times 10^{-6}$
		vs Load	-0.1	+0.1	
		vs Voltage	-0.2	+0.2	
Frequency Aging	f_{age}	Per Year	-1	+1	$\times 10^{-6}$
Storage Temperature Range	T_{stg}		-40	+85	°C
Operating Temperature Range	T_{use}		-30	+85	°C
Supply Voltage	V_{cc}		2.3	3.6	V
Output Level	V_{pp}	10k ohm // 10pF	0.8	—	Vp-p
Current Consumption	I_{cc}		—	2	mA
Harmonics	—		—	-5	dBc

Dimensions

(Unit: mm)



Test Circuit



Recommended Land Pattern

(Unit: mm)

