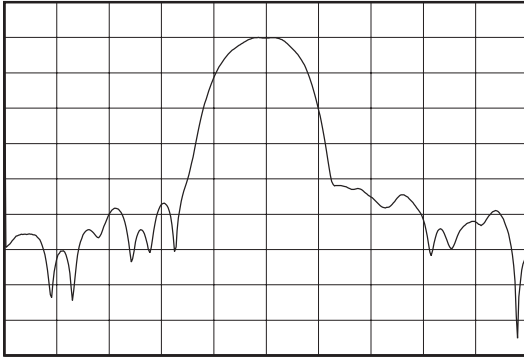
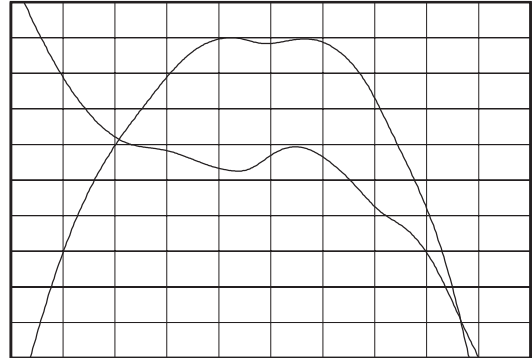


Data Sheet

Typical Performance



Horizontal: 500 kHz/Div  
Vertical: 10 dB/Div



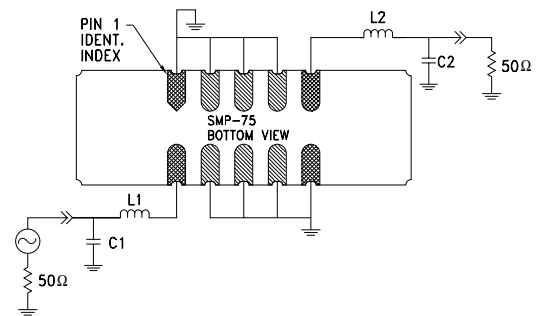
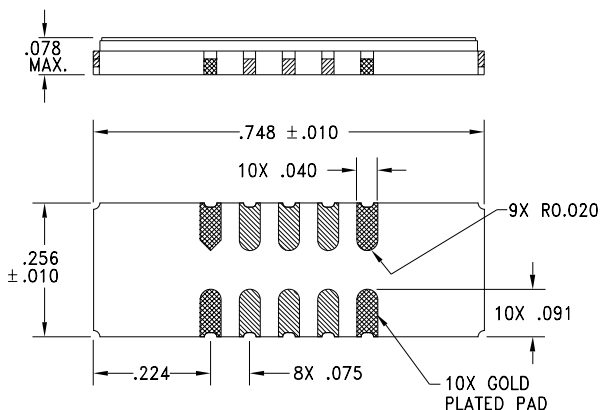
Horizontal: 100 kHz/Div  
Vertical: 1 dB/Div  
Vertical: 5 deg/Div

Specifications

Parameter	Unit	Minimum	Typical	Maximum
Center Frequency	MHz	69.95	70	70.05
Insertion Loss at $F_o$	dB	-	7.6	8
1 dB Bandwidth	MHz	0.35	0.37	-
3 dB Bandwidth	MHz	0.5	0.55	-
35 dB Bandwidth	MHz	-	1.28	1.4
Passband Ripple	dB	-	0.7	1
Phase Linearity (60% of 3 dB Bandwidth)	deg	-	5.2	6.75
Group Delay Variation (60% of 3 dB Bandwidth)	nsec	-	330	500
Absolute Delay	$\mu$ sec	-	2	-
Substrate Material	-	-	Quartz	-
Temperature Coefficient	ppm	-	$\Delta F/F = -[(T - T_o)/5.4]^2$	-
Ambient Temperature	$^{\circ}$ C	-	25	-

Package Outline

Matching Configuration



$L1 = 470\text{nH}$ ,  $L2 = 560\text{nH}$   
 $C1 = 68\text{pF}$ ,  $C2 = 47\text{pF}$   
Source/Load Impedance =  $50\ \Omega$   
Package Style SMP-75

11/24/99