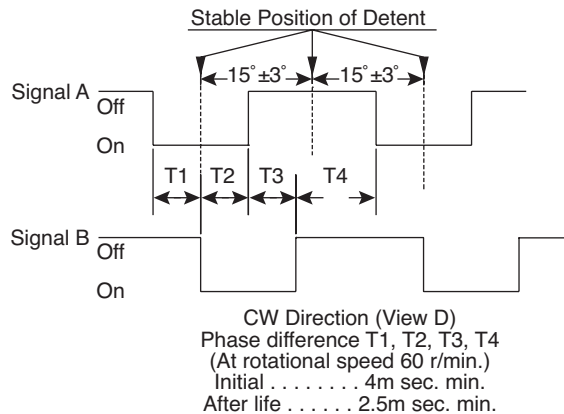
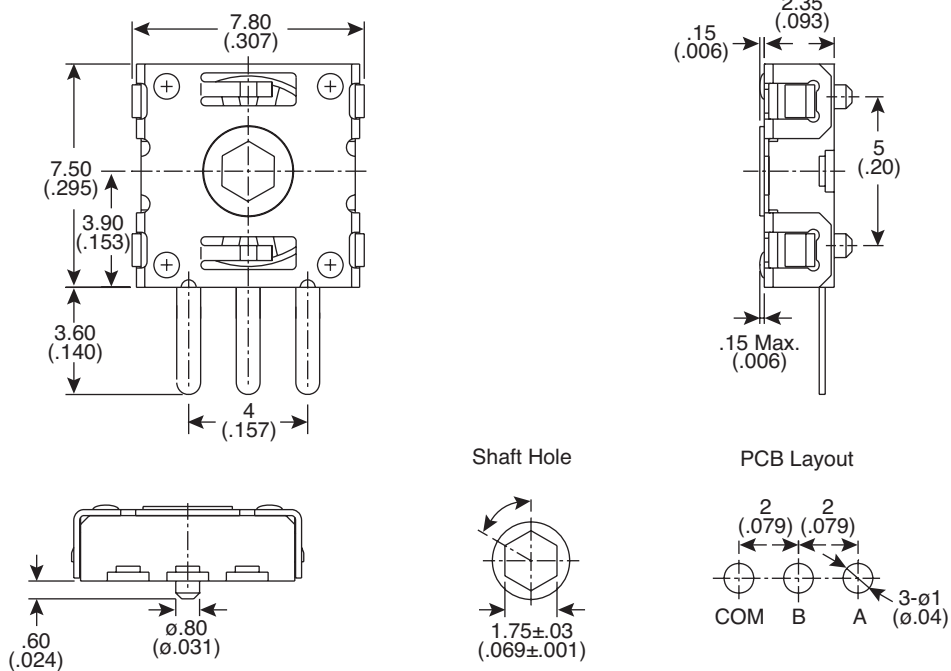


Dimensions: mm (in.)



Electrical Specifications:

- Contact Rating: 1mA/10VDC
- Contact Resistance: ≤ 10Ω
- Isulation Resistance: ≥ 50MΩ 50V DC
- Dielectric Strength: 50V AC 1 minute

Mechanical Specifications:

- Operating Force: 20± 10gf
- Operating Temperature: -10°C ~ +60°C
- Number and Postions of Segment Points: 24 Segment points (each segment angle: 15° ± 3°)
- Output Resolution: 12 pulse/360°

Note:

- RoHS Compliant

Encoder
101-5439-EV



Available from Mouser Electronics

www.mouser.com

1-800-346-6873

Specifications are subject to change without notice. No liability or warranty implied by this information. Environmental compliance based on producer documentation.