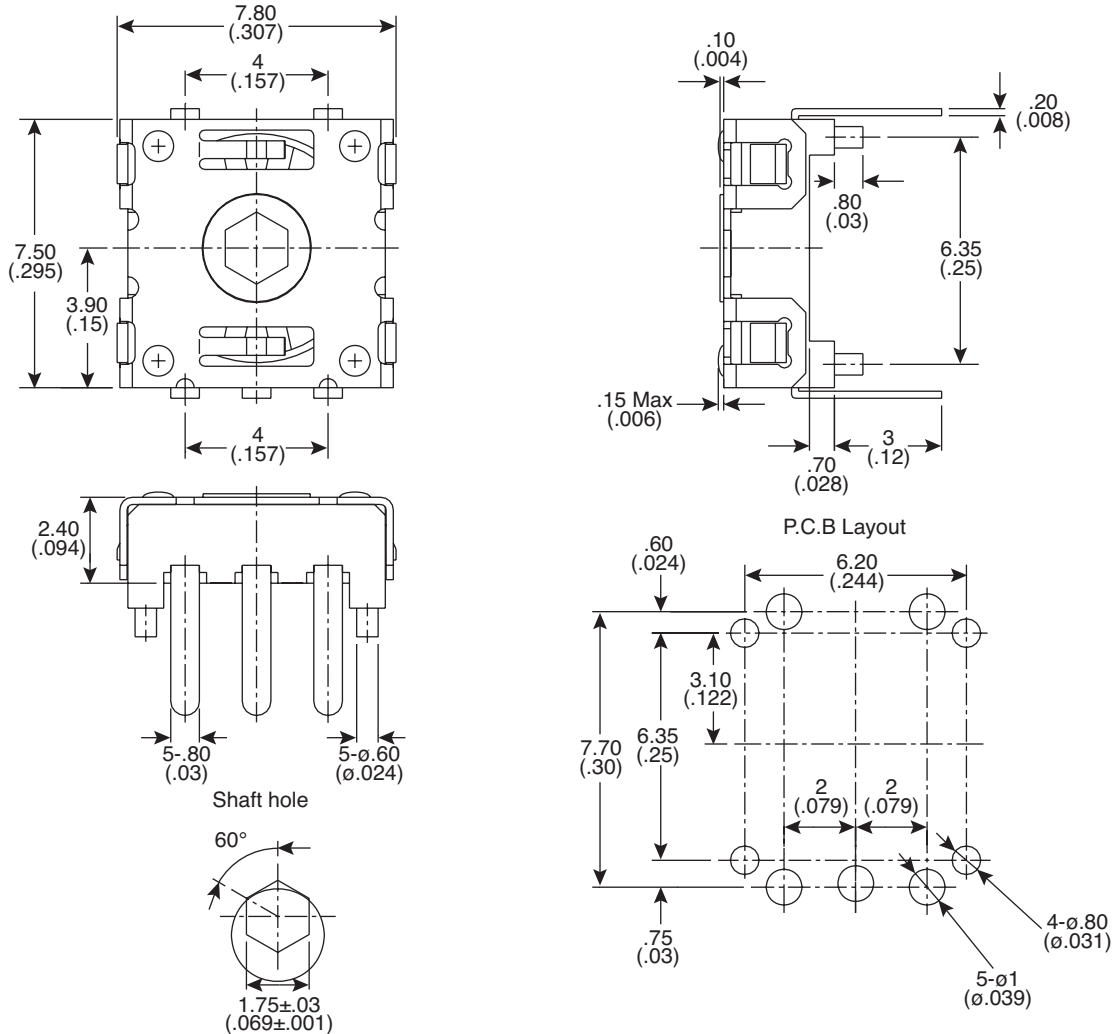


Dimensions: mm (in.)



Electrical Specifications:

- Contact Rating: 1mA/10VDC
- Contact Resistance: $\leq 10\Omega$
- Insulation Resistance: $\geq 50M\Omega$ 50VDC
- Dielectric Strength: 50VAC 1 minute

Mechanical Specifications:

- Operation Force 25 \pm 10gf
- Operating Temperature: -10°C- +60°C
- Number and position of segment points: 24 segment points(each segment angle: 15° \pm 3°)
- Output resolution: 12 pulse/360°

Note:

- RoHS Compliant

Encoder
101-5434-EV



Available from Mouser Electronics

www.mouser.com

1-800-346-6873

Specifications are subject to change without notice. No liability or warranty implied by this information. Environmental compliance based on producer documentation.