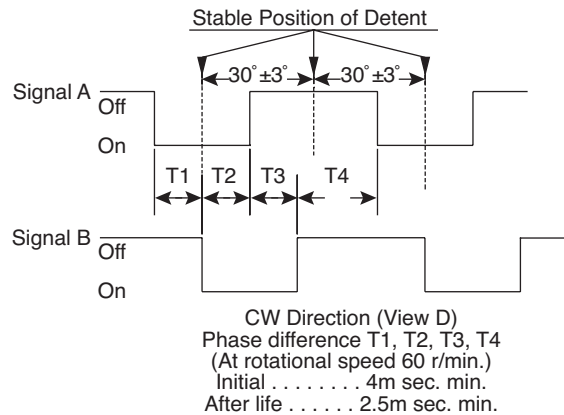
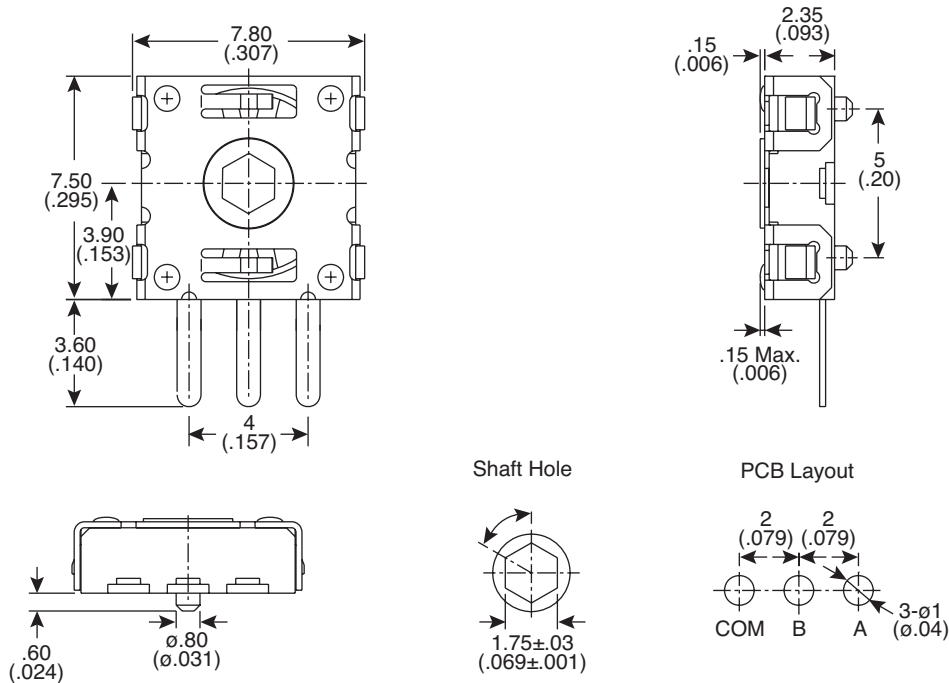


Dimensions: mm (in.)



**Electrical Specifications:**

- Contact Rating: 1mA/10VDC
- Contact Resistance:  $\leq 10\Omega$
- Isulation Resistance:  $\geq 50M\Omega$  50V DC
- Dielectric Strength: 50V AC 1 minute

**Mechanical Specifications:**

- Operating Force:  $25 \pm 10gf$
- Operating Temperature:  $-10^\circ C \sim +60^\circ C$
- Number and Postions of Segment Points: 12 Segment points (each segment angle:  $30^\circ \pm 3^\circ$ )
- Output Resolution: 6 pulse/360°

**Note:**

- RoHS Compliant

Encoder  
101-5429-EV



Available from Mouser Electronics

www.mouser.com

1-800-346-6873

Specifications are subject to change without notice. No liability or warranty implied by this information. Environmental compliance based on producer documentation.