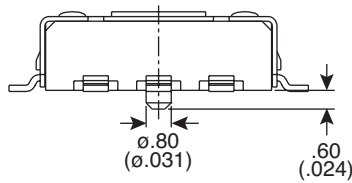
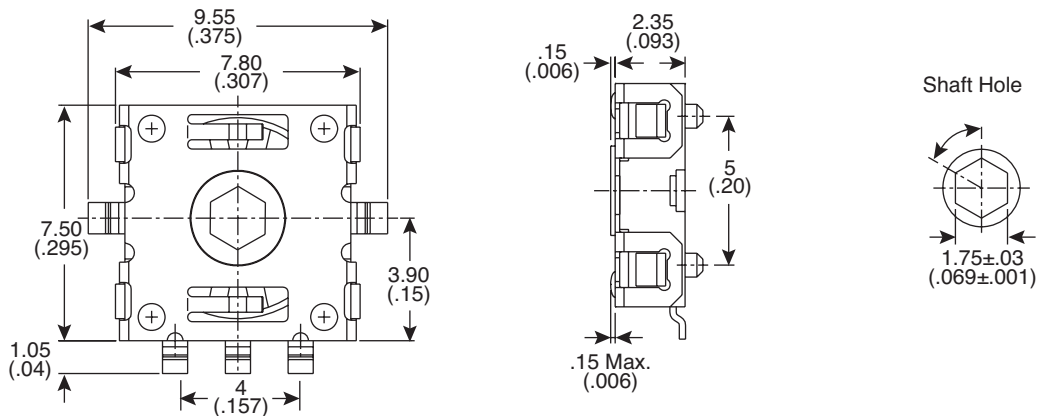
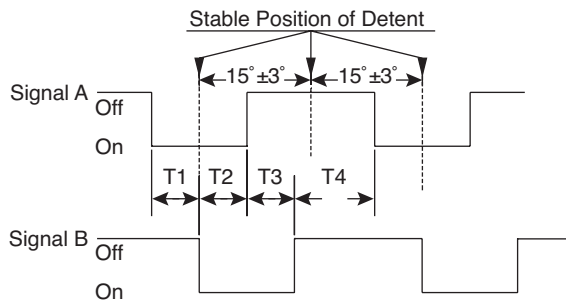
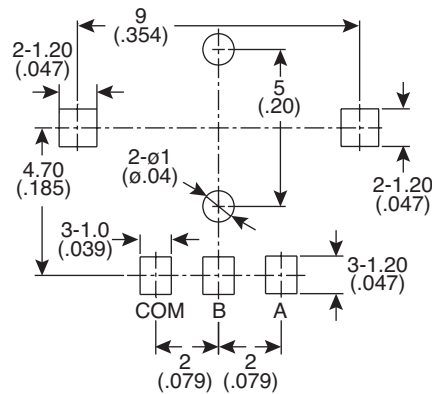


Dimensions: mm (in.)



PCB Layout



CW Direction (View D)
 Phase difference T1, T2, T3, T4
 (At rotational speed 60 r/min.)
 Initial 4m sec. min.
 After life 2.5m sec. min.

Electrical Specifications:

- Contact Rating: 1mA/10VDC
- Contact Resistance: $\leq 10\Omega$
- Insulation Resistance: $\geq 50M\Omega$ 50V DC
- Dielectric Strength: 50V AC 1 minute

Mechanical Specifications:

- Operating Force: $25 \pm 10gf$
- Operating Temperature: $-10^\circ C \sim +60^\circ C$
- Number and Postions of Segment Points: 24 Segment points (each segment angle: $15^\circ \pm 3^\circ$)
- Output Resolution: 12 pulse/360°

Note:

- RoHS Compliant

Encoder
 101-5425-EV

