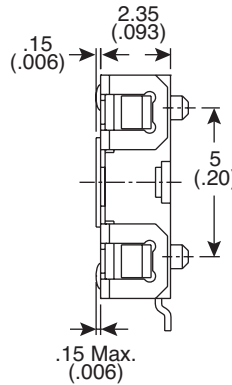
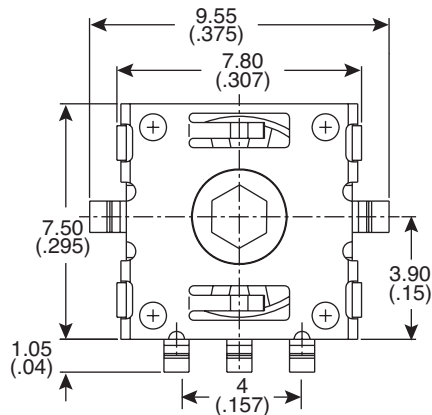
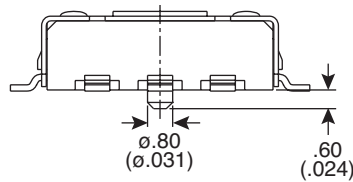
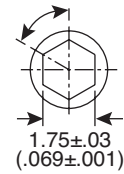


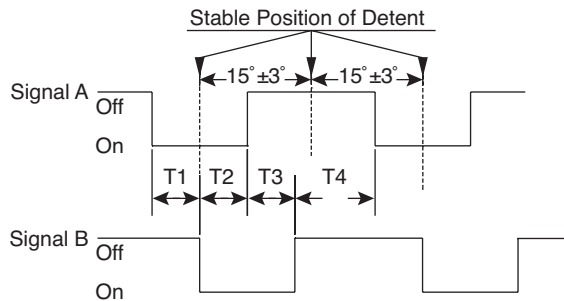
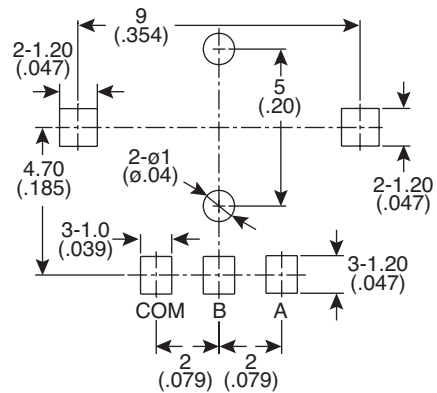
Dimensions: mm (in.)



Shaft Hole



PCB Layout



CW Direction (View D)
 Phase difference T1, T2, T3, T4
 (At rotational speed 60 r/min.)
 Initial 4m sec. min.
 After life 2.5m sec. min.

Electrical Specifications:

- Contact Rating: 1mA/10VDC
- Contact Resistance: ≤ 10Ω
- Insulation Resistance: ≥ 50MΩ 50V DC
- Dielectric Strength: 50V AC 1 minute

Mechanical Specifications:

- Operating Force: 25± 10gf
- Operating Temperature: -10°C ~ +60°C
- Number and Positions of Segment Points: 12 Segment points (each segment angle: 30° ± 3°)
- Output Resolution: 6 pulse/360°

Note:

- RoHS Compliant

Encoder
 101-5413-EV

