

Features

- RoHS compliant*
- Low power loss & high efficiency
- High current capability
- Low profile package

Applications

- AC operated products
- Computer monitors
- Set top boxes
- Cable modems

CD2320-B1200~B11000 Surface Mount Bridge Rectifier Diode

General Information

The markets of portable communications, computing and video equipment are challenging the semiconductor industry to develop increasingly smaller electronic components.

Bourns offers Bridge Rectifier Diodes for rectification applications, in compact chip package 2320 size format, which offer PCB real estate savings and are considerably smaller than most competitive parts. The Bridge Rectifier Diodes offer a forward current of 1 A with a choice of repetitive peak reverse voltages between 200 V and 1000 V.

Electrical Characteristics (@ $T_A = 25^\circ\text{C}$ Unless Otherwise Noted)

Parameter	Symbol	CD2320-					Unit
		B1200	B1400	B1600	B1800	B11000	
Maximum Repetitive Peak Reverse Voltage	V_{RRM}	200	400	600	800	1000	V
Maximum RMS Voltage	V_{RMS}	140	280	420	560	700	V
Maximum DC Blocking Voltage	V_{DC}	200	400	600	800	1000	V
Maximum Average Forward Rectified Current ($T_A = 55^\circ\text{C}$)	$I_{(AV)}$	1.0					A
DC Reverse Current @ Rated DC Blocking Voltage (@ $T_J = 25^\circ\text{C}$)	I_R	5					μA
DC Reverse Current @ Rated DC Blocking Voltage (@ $T_J = 150^\circ\text{C}$)	I_R	200					μA
Typical Junction Capacitance ¹	C_J	25					pF
Maximum Instantaneous Forward Voltage @ 1 A	V_F	1					V
Typical Thermal Resistance ²	$R_{\theta JL}$	110					$^\circ\text{C}/\text{W}$
Peak forward surge current 8.3 ms single half sine-wave superimposed on rated load (JEDEC Method)	I_{FSM}	30					A

Notes:

- 1 Measured @ 1.0 MHz and applied reverse voltage of 4.0 VDC.
- 2 Thermal resistance from junction to ambient and from junction to lead P.C.B. mounted on 0.2" x 0.2" (5.0 mm x 5.0 mm) copper pad areas.

Thermal Characteristics (@ $T_A = 25^\circ\text{C}$ Unless Otherwise Noted)

Parameter	Symbol	CD2320-B1200~B11000	Unit
Operating Temperature Range	T_J	-55 to +175	$^\circ\text{C}$
Storage Temperature Range	T_{STG}	-55 to +175	$^\circ\text{C}$

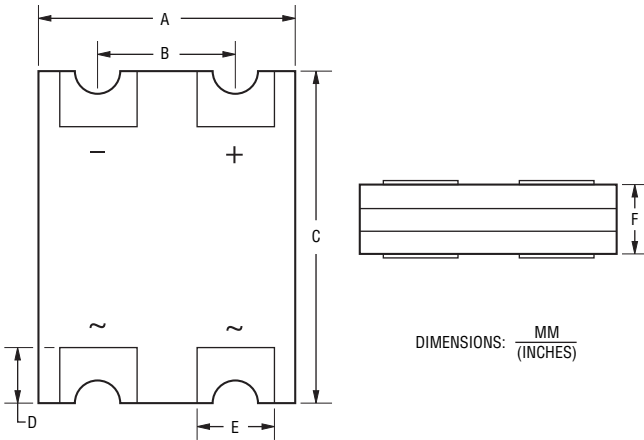
*RoHS Directive 2002/95/EC Jan 27, 2003 including Annex.
 Specifications are subject to change without notice.
 Customers should verify actual device performance in their specific applications.

CD2320-B1200~B11000 Surface Mount Bridge Rectifier Diode



Product Dimensions

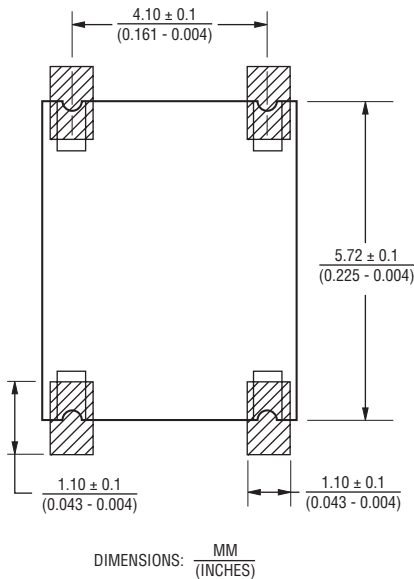
This is a lead free product, packaged with FRP substrate and is epoxy underfilled. The terminals are pure tin plated (lead free) and are solderable per MIL-STD-750, Method 2026. The package weighs approximately 0.07 g. The package and dimensions are shown below.



Dimensions	
A	$\frac{5.20 - 5.40}{(0.205 - 0.213)}$
B	$\frac{4.10 - 4.30}{(0.161 - 0.169)}$
C	$\frac{5.70 - 5.90}{(0.224 - 0.232)}$
D	$\frac{1.00 - 1.20}{(0.039 - 0.047)}$
E	$\frac{0.85 - 0.95}{(0.033 - 0.037)}$
F	$\frac{0.86 - 1.16}{(0.0338 - 0.0457)}$

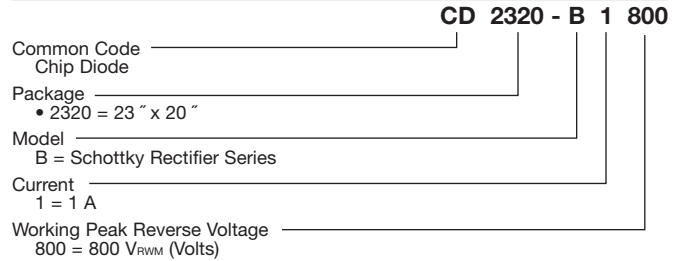
DIMENSIONS: $\frac{\text{MM}}{\text{(INCHES)}}$

Recommended Footprint

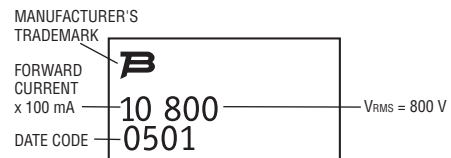


DIMENSIONS: $\frac{\text{MM}}{\text{(INCHES)}}$

How To Order



Typical Part Marking



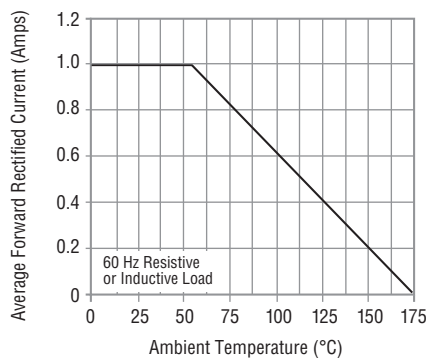
Specifications are subject to change without notice. Customers should verify actual device performance in their specific applications.

CD2320-B1200~B11000 Surface Mount Bridge Rectifier Diode

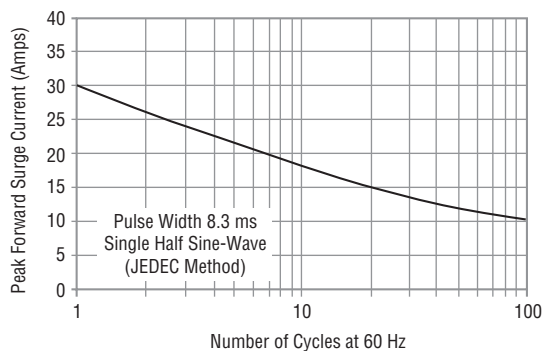


Rating and Characteristic Curves

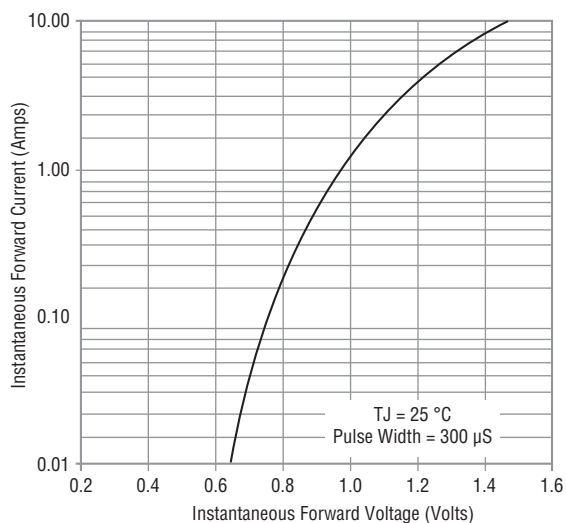
Forward Current Derating Curve



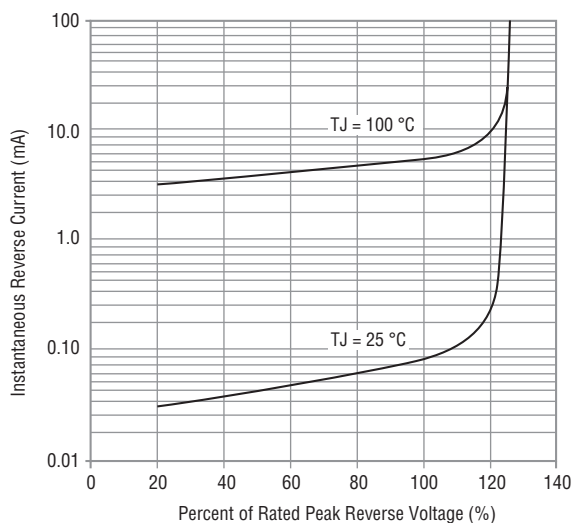
Maximum Non-Repetitive Peak Forward Surge Current



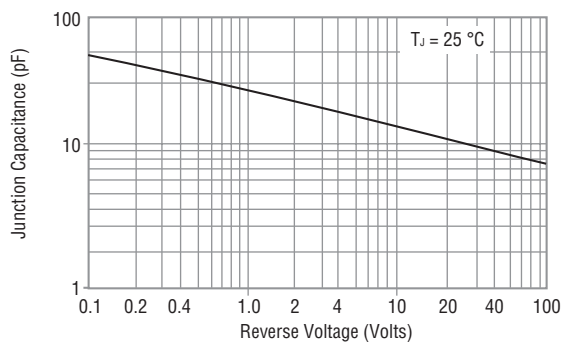
Forward Characteristics



Reverse Characteristics



Typical Junction Capacitance



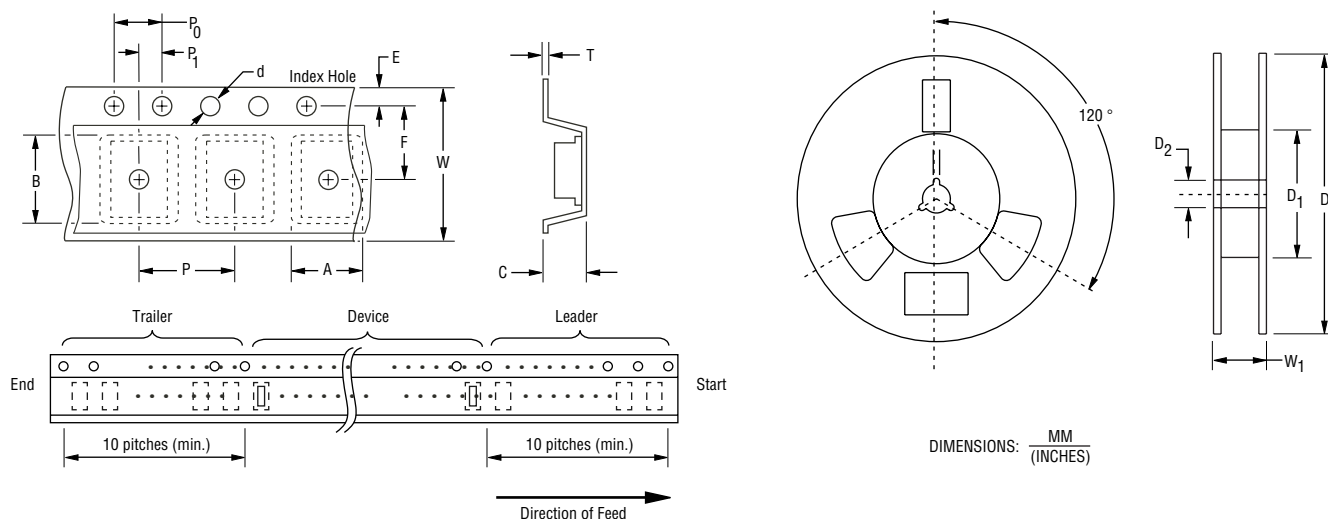
Specifications are subject to change without notice. Customers should verify actual device performance in their specific applications.

CD2320-B1200~B11000 Surface Mount Bridge Rectifier Diode

BOURNS®

Packaging Information

The surface mount product is packaged in an 12 mm x 8 mm tape and reel format per EIA-481 standard.



Item	Symbol	2320
Carrier Width	A	$\frac{5.90 \pm 0.10}{(0.232 - 0.004)}$
Carrier Length	B	$\frac{6.50 \pm 0.10}{(0.256 - 0.004)}$
Carrier Depth	C	$\frac{1.50 \pm 0.10}{(0.059 - 0.004)}$
Sprocket Hole	d	$\frac{1.55 \pm 0.05}{(0.061 - 0.002)}$
Reel Outside Diameter	D	$\frac{330}{(12.992)}$
Reel Inner Diameter	D ₁	$\frac{50.0}{(1.969)}$ Min.
Feed Hole Diameter	D ₂	$\frac{13.0 \pm 0.20}{(0.512 - 0.008)}$
Sprocket Hole Position	E	$\frac{1.75 \pm 0.10}{(0.069 - 0.004)}$
Punch Hole Position	F	$\frac{5.50 \pm 0.05}{(0.217 - 0.002)}$
Punch Hole Pitch	P	$\frac{8.00 \pm 0.10}{(0.315 - 0.004)}$
Sprocket Hole Pitch	P ₀	$\frac{4.00 \pm 0.10}{(0.157 - 0.004)}$
Embossment Center	P ₁	$\frac{2.00 \pm 0.05}{(0.079 - 0.002)}$
Overall Tape Thickness	T	$\frac{0.20 \pm 0.10}{(0.008 - 0.004)}$
Tape Width	W	$\frac{12.00 \pm 0.20}{(0.472 - 0.008)}$
Reel Width	W ₁	$\frac{18.7}{(0.736)}$ Max.
Quantity per Reel	—	5,000

REV. 04/11

Specifications are subject to change without notice. Customers should verify actual device performance in their specific applications.