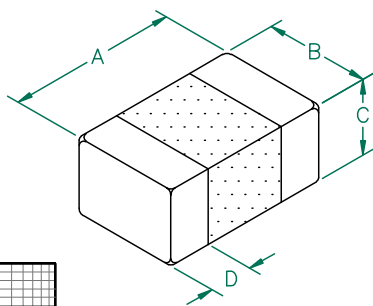


HI0805R800R-10

UNCONTROLLED DOCUMENT

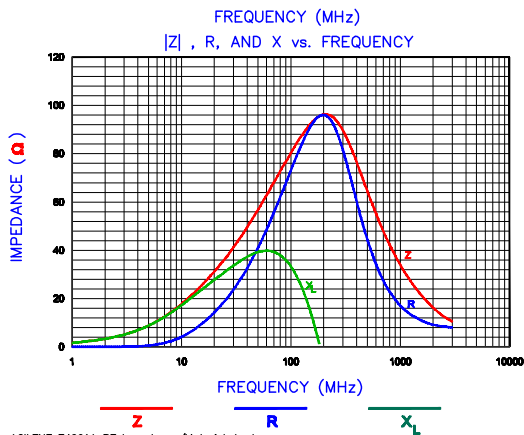
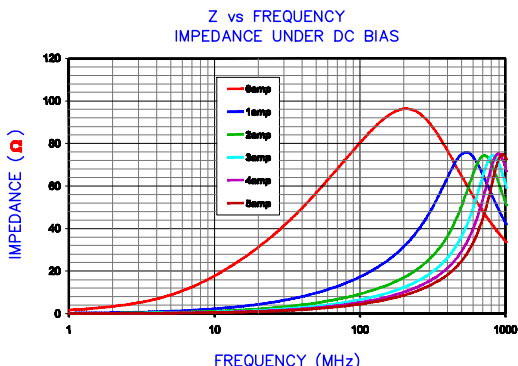
PHYSICAL DIMENSIONS:

A	2.00 [.079]	± 0.20 [.008]
B	1.25 [.049]	± 0.20 [.008]
C	0.90 [.035]	± 0.20 [.008]
D	0.51 [.020]	± 0.25 [.010]



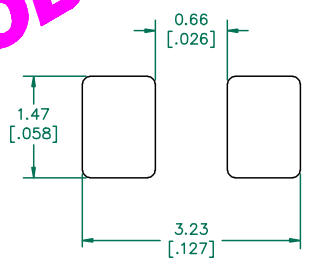
ELECTRICAL CHARACTERISTICS:			
Z @ 100MHz (Ω)	DCR (Ω)	Rated Current	
Nominal	80		
Minimum	60		
Maximum	100	0.010	5000 mA

- NOTES: UNLESS OTHERWISE SPECIFIED
1. TAPED AND REELED per CURRENT EIA SPECIFICATIONS 7" REELS, 4000 PCS/REEL.
 2. TERMINATION FINISH IS 100% TIN.
 3. CONTINUOUS CURRENT RATING OF 5000 mA.
 4. COMPONENTS SHOULD BE ADEQUATELY PREHEATED BEFORE SOLDERING.

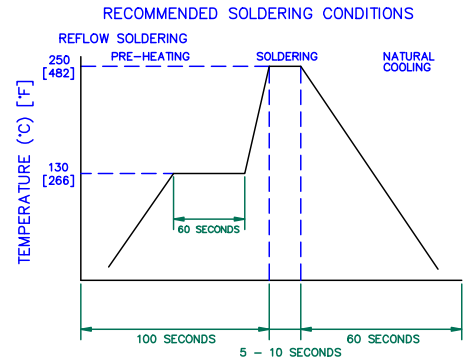


Pr
OBSOLETE

LAND PATTERNS FOR REFLOW SOLDERING



(For wave soldering, add 0.763 [.030] to this dimension.)



DIMENSIONS ARE IN mm [INCHES].				THIS DOCUMENT CONTAINS INFORMATION WHICH IS PROPRIETARY AND CONFIDENTIAL TO STEWARD. NO PRODUCTION OR PUBLICATION OF THIS DOCUMENT IN WHOLE OR IN PART SHALL BE MADE WITHOUT WRITTEN AUTHORIZATION FROM STEWARD.			
				Steward		<small>Quality</small> Leit	
PROJECT/PART NUMBER:				REV:	PART TYPE:	DRAWN BY:	
HI0805R800R-10				B	CO-FIRE	TMB	
B	UPDATE COMPANY LOGO	01/17/08	JRK	DATE:	04/02/04	SCALE:	NTS
A	ORIGINAL DRAFT	04/02/04	TMB	DRAWN #:		SHEET:	2 of 2
REV	DESCRIPTION	DATE	INT	PART #	HI0805R800R-10-B	TOOL #	-

AGILENT E4991A RF Impedance/Material Analyzer
HP 16194A Test Fixture. TEST REF. 3796