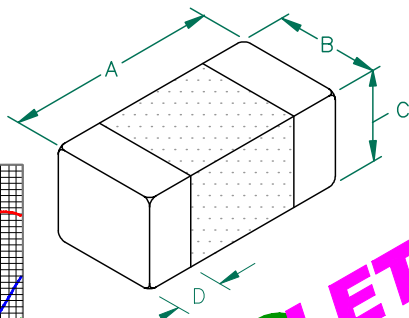


HI0603P600R-10

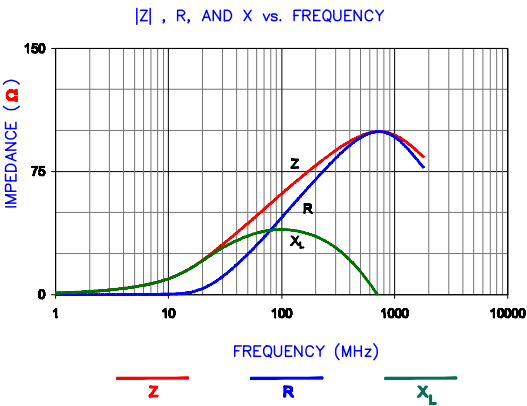
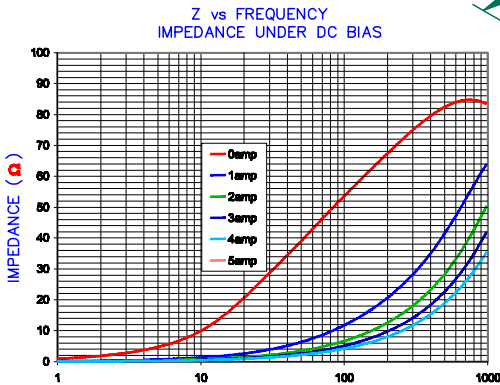
UNCONTROLLED DOCUMENT

PHYSICAL DIMENSIONS:

A	1.60 [.063]	+ 0.15	[.006]
B	0.80 [.031]	+ 0.15	[.006]
C	0.80 [.031]	+ 0.15	[.006]
D	0.36 [.014]	+ 0.15	[.006]

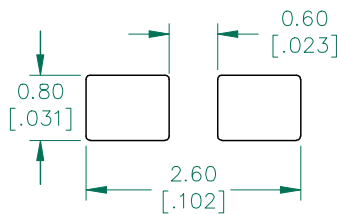


ELECTRICAL CHARACTERISTICS:			
Z @ 100MHz (Ω)	DCR (Ω)	Rated Current	
Nominal	60		
Minimum	45		
Maximum	75	0.030	4000 mA



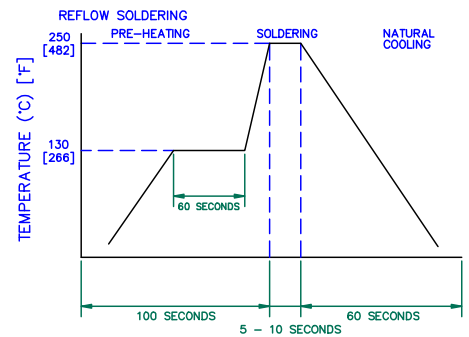
OBSOLETE

LAND PATTERNS FOR REFLOW SOLDERING



(For wave soldering, add 0.762 [.030] to this dimension)

RECOMMENDED SOLDERING CONDITIONS



DIMENSIONS ARE IN mm [INCHES].		THIS DOCUMENT CONTAINS INFORMATION WHICH IS PROPRIETARY AND CONFIDENTIAL TO STEWARD. NO PRODUCTION OR PUBLICATION OF THIS DOCUMENT IN WHOLE OR IN PART SHALL BE MADE WITHOUT WRITTEN AUTHORIZATION FROM STEWARD.			
		Steward		 Laird	
PROJECT/PART NUMBER:		REV:	PART TYPE:	DRAWN BY:	
HI0603P600R-10		B	CO-FIRE	TMB	
B	UPDATE COMPANY LOGO ADD ROHS SYMBOL	01/16/08	JRK	DATE:	04/02/04
A	ORIGINAL DRAFT	04/02/04	TMB	CAD #	HI0603P600R-10-B
REV	DESCRIPTION	DATE	INT	TOOL #	
				SCALE:	-
				SHEET:	2 of 2

AGILENT E4991A RF Impedance/Material Analyzer
HP 16194A Test Fixture. TEST REF. 3185