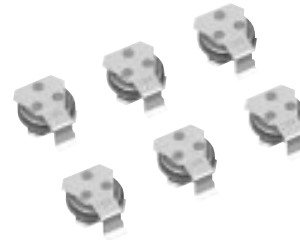


Surface Mount Type

Series: **EP**

■ Features

- Miniaturized : Dia3.8 × height 1.5 mm max.
- Reflow soldering method available (260 °C)
- RoHS directive compliant



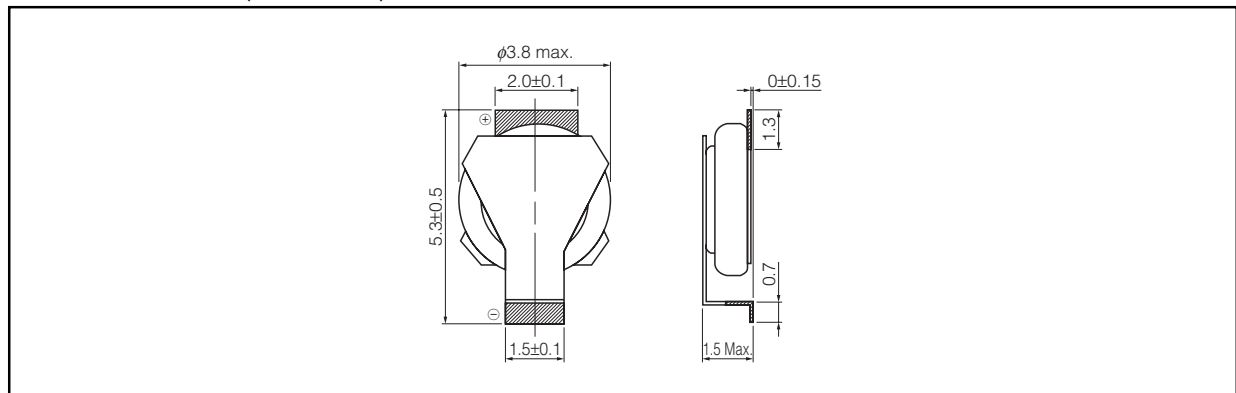
■ Recommended Applications

- Mobile phones, PDAs
- RTC backup

■ Specifications

| | | | |
|---------------------------------------|---------------------|--|---|
| Category Temp. Range | -10 °C to +60 °C | | |
| Maximum Operating Voltage | 2.6 V DC | | 3.3 V DC |
| Capacitance | 0.033 F +80 %/-20 % | | |
| Maximum Operating Current | 5 μA | | |
| Stability at low and high temperature | | Lower category temp. (-10 °C) | Upper category temp. (+60 °C) |
| | Capacitance change | ±30 % of initial measured value at 20 °C | ±30 % of initial measured value at 20 °C |
| | Internal resistance | ≤10 times of initial measured value at 20 °C | ≤Initial measured value at 20 °C |
| Endurance | | After 500 hours application of 2.6 V at +60 °C | After 250 hours application of 3.3 V at +60 °C |
| | Capacitance change | ±30 % of initial measured value at 20 °C | Capacitance change ±30 % of initial measured value at 20 °C |
| | Internal resistance | 2 kΩ or less | Internal resistance 4 kΩ or less |
| Shelf Life | | After 500 hours storage at +60 °C without load (voltage) | |
| | Capacitance change | ±30 % of initial measured value at 20 °C | |
| | Internal resistance | 1 kΩ or less | |

■ Dimensions in mm(not to scale)



■ Standard Products

| Maximum Operating Voltage (V.DC) | Capacitance (F) | Internal resistance (Ω) at 1kHz | Maximum discharging current (μA) | Part number | Mass (g) | Min. Packaging Q'ty Reel (pcs) |
|----------------------------------|-----------------|---------------------------------|----------------------------------|-------------|----------|--------------------------------|
| 2.6 | 0.033 | ≤350 | 5 | EECEP0E333A | 0.06 | 4000 |
| 3.3 | | | | EECEP0F333A | | |

The re-flow condition / taping dimensions are explained on P197, 198 of our catalog.

(): Please use AK,RK or J2 to indicate terminal type.

Note : 1. Do not use reflow soldering when cell voltage is above 0.3 V.

2. When the capacitor is being used in a high temperature and high humidity environment for a long period, and will not affect any electrical characteristics of the capacitor.

3: EP series is a small capacitor that developed for the RTC backup of cellular phone. Therefore, there is a possibility that it will not be able to back up in short time depend on using condition. Please contact us before you use it

Design and specifications are each subject to change without notice. Ask factory for the current technical specifications before purchase and/or use. Should a safety concern arise regarding this product, please be sure to contact us immediately.

Jan. 2008