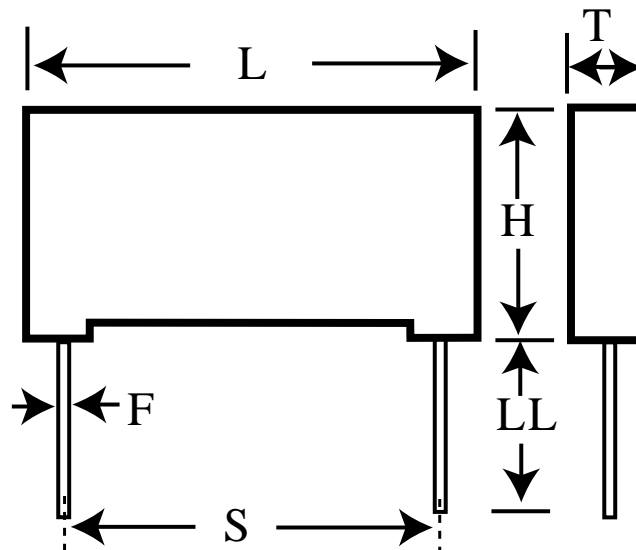


PHE840MK5220MK03R17

aka F840KK223M275A

Capacitor, film, 0.022 μ F, +/-20% Tol, -55/+105C, Safety: X2, 275VAC,
Lead Spacing=7.5 mm



Dimensions (mm)

ID	Dimension	Tolerance
L	10	max
H	11	max
T	5	max
S	7.5	+/-0.4
LL	17	nom
F	0.6	nom

Specifications

Manufacturer:	KEMET
Brand:	Rifa
Capacitance:	0.022 μ F
Temperature Range:	-55/+105C
Rated Temperature:	105C
Voltage @ rated temp:	760V
Voltage AC:	275VAC
Tolerance:	+/-20%
Body Type:	Radial Box
Construction:	Non-inductive
Application:	Safety: X2
Dielectric:	Metallized Polypropylene
Dissipation Factor @ 1 kHz:	0.1%
Dissipation Factor @ 10 kHz:	0.2%
Dissipation Factor @ 100kHz:	0.6%
Insulation Resistance:	30 GOhm
Maximum dVdT:	100v/us
UL_1414:	250V
UL_1283:	280V
IEC_60384-14:	275V
EN_132400:	275V
C_22.2_NO.1:	250V
C_22.2_NO.8:	280V
Miscellaneous Electrical:	UL/CSA VAC= 280; fo= &DD2&"MHz series(PHE840M)
Package Kind:	Bulk
Package Quantity:	1000