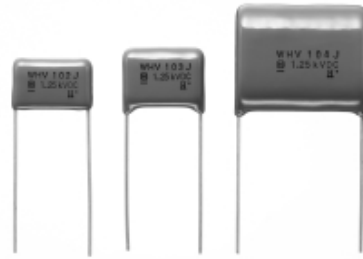


### Metallized Polypropylene Film Capacitor

Type : **ECWH(V)**

Designed for high frequency and pluse applications.



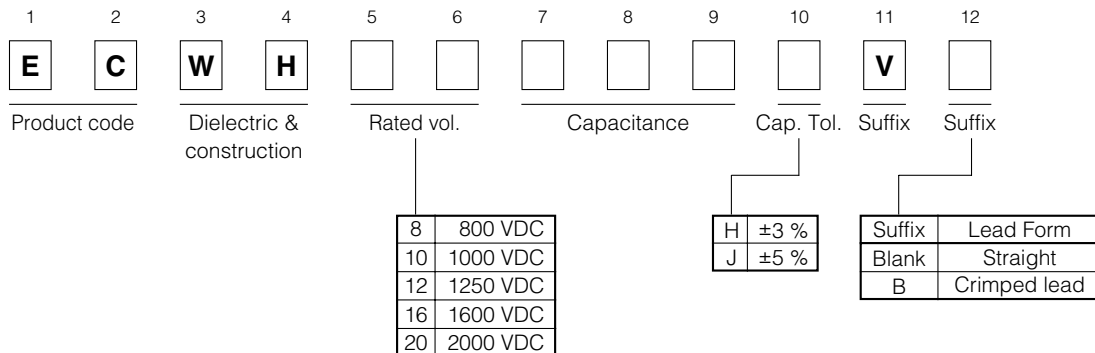
#### ■ Features

- Low-loss and inherent temperature rise
- Excellent electrical characteristics
- Flame-retardant epoxy resin coating
- RoHS directive compliant

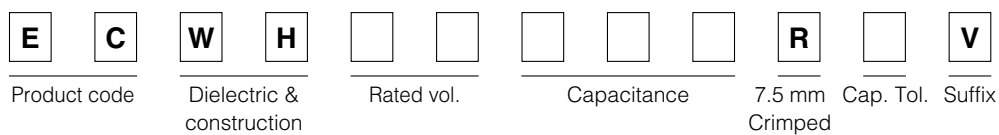
#### ■ Recommended Applications

- TV, Monitors, Electronic ballast

#### ■ Explanation of Part Numbers



#### ● Explanation of Part Number for Odd Size Taping

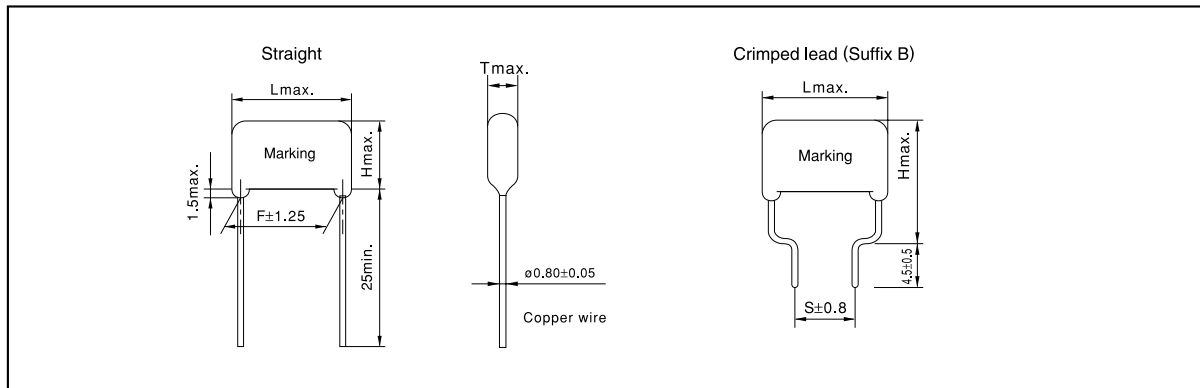


#### ■ Specifications

Category temp. range (Including temperature-rise on unit surface)	-40 °C to +105 °C	
Rated voltage	800 VDC, 1000 VDC, 1250 VDC (1000 Vp-p), 1600 VDC (1200 Vp-p), 2000 VDC (1500 Vp-p) (Derating of rated voltage by 1.25 %/°C at more than 85 °C)	
Capacitance range	800 VDC, 1000 VDC, 1250 VDC	0.0010 µF to 0.10 µF
	1600 VDC	0.0010 µF to 0.056 µF
	2000 VDC	0.0010 µF to 0.015 µF
Capacitance tolerance	±3 % (H), ±5 % (J)	
Dissipation factor (tanδ)	tanδ ≤ 0.1 % (20 °C, 1 kHz), tanδ ≤ 0.2 % (20 °C, 10 kHz)	
Withstand voltage	Between terminals: Rated volt. (VDC) × 150 % 60 s Between terminals to enclosure: 1500 VAC 60 s	
Insulation resistance (IR)	IR ≥ 30000 MΩ (20 °C, 500 VDC, 60 s)	

\* In case of applying voltage in alternating current (50 Hz or 60 Hz sine wave) to a capacitor with DC rated voltage, please refer to the page of "Permissible voltage (R.M.S) in alternating current corresponding to DC rated voltage".

### ■ Dimensions in mm (not to scale)

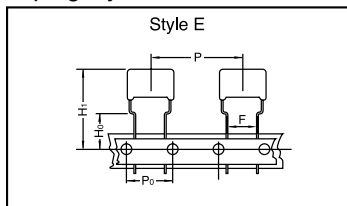


### ■ Packaging Specifications for Bulk Package

Packing quantity : 100 pcs./bag

### ■ Taping Specifications for Automatic Insertion

#### ● Taping style



\*Refer to the page of taping specifications.

#### ● Packaging Specifications

Type	Rated volt.	Cap. range (µF)	Taping style						Packing	suffix
			AD	AS	B	C	D	E		
ECWH(V)	800 VDC	0.0010 to 0.10						○	Ammo	R( ) V
	1000 VDC	0.0010 to 0.10						○	Ammo	R( ) V
	1250 VDC	0.0010 to 0.051						○	Ammo	R( ) V
	1600 VDC	0.0010 to 0.020						○	Ammo	R( ) V
	2000 VDC	0.0010 to 0.015						○	Ammo	R( ) V

#### ● Lead Spacing

Style	Lead Spacing
E	7.5 mm

\*See the column "Rating, Dimensions & Quantity Box" for packing quantity.

### ■ Rating & Dimensions

● Rated voltage : 800 VDC. Capacitance tolerance :  $\pm 3\%$ (H),  $\pm 5\%$ (J)

Part No.	Cap. ( $\mu$ F)	Dimensions(mm)							Quantity Ammo 7.5 mm
		L <sub>max</sub>	T <sub>max</sub>	H <sub>max</sub>		F	S	$\phi$ d	
				Straight	Crimped lead	Straight	Crimped lead		
ECWH8102□V( )	0.0010	18.0	6.5	13.5	18.5	15.0	10.0	0.80	500
ECWH8112□V( )	0.0011	18.0	6.5	13.5	18.5	15.0	10.0	0.80	
ECWH8122□V( )	0.0012	18.0	7.0	13.5	18.5	15.0	10.0	0.80	
ECWH8132□V( )	0.0013	18.0	6.5	13.0	18.0	15.0	10.0	0.80	
ECWH8152□V( )	0.0015	18.0	6.5	13.5	18.5	15.0	10.0	0.80	
ECWH8162□V( )	0.0016	18.0	7.0	13.5	18.5	15.0	10.0	0.80	
ECWH8182□V( )	0.0018	18.0	7.0	14.0	19.0	15.0	10.0	0.80	
ECWH8202□V( )	0.0020	18.0	7.0	14.0	19.0	15.0	10.0	0.80	
ECWH8222□V( )	0.0022	18.0	6.5	13.5	18.5	15.0	10.0	0.80	
ECWH8242□V( )	0.0024	18.0	7.0	13.5	18.5	15.0	10.0	0.80	
ECWH8272□V( )	0.0027	18.0	7.0	14.0	19.0	15.0	10.0	0.80	
ECWH8302□V( )	0.0030	18.0	7.5	14.0	19.0	15.0	10.0	0.80	
ECWH8332□V( )	0.0033	18.0	7.5	14.5	19.5	15.0	10.0	0.80	
ECWH8362□V( )	0.0036	18.0	6.0	12.5	17.5	15.0	10.0	0.80	
ECWH8392□V( )	0.0039	18.0	6.0	12.5	17.5	15.0	10.0	0.80	
ECWH8432□V( )	0.0043	18.0	6.0	13.0	18.0	15.0	10.0	0.80	
ECWH8472□V( )	0.0047	18.0	6.0	13.0	18.0	15.0	10.0	0.80	
ECWH8512□V( )	0.0051	18.0	6.5	13.0	18.0	15.0	10.0	0.80	
ECWH8562□V( )	0.0056	18.0	6.5	13.5	18.5	15.0	10.0	0.80	
ECWH8622□V( )	0.0062	18.0	6.5	13.5	18.5	15.0	10.0	0.80	
ECWH8682□V( )	0.0068	18.0	7.0	13.5	18.5	15.0	10.0	0.80	
ECWH8752□V( )	0.0075	18.0	6.0	12.5	17.5	15.0	10.0	0.80	
ECWH8822□V( )	0.0082	18.0	6.0	12.5	17.5	15.0	10.0	0.80	
ECWH8912□V( )	0.0091	18.0	6.0	13.0	18.0	15.0	10.0	0.80	
ECWH8103□V( )	0.010	18.0	6.0	12.5	17.5	15.0	10.0	0.80	
ECWH8113□V( )	0.011	18.0	6.0	12.5	17.5	15.0	10.0	0.80	
ECWH8123□V( )	0.012	18.0	6.0	13.0	18.0	15.0	10.0	0.80	
ECWH8133□V( )	0.013	18.0	6.0	13.0	18.0	15.0	10.0	0.80	
ECWH8153□V( )	0.015	18.0	6.5	13.5	18.5	15.0	10.0	0.80	
ECWH8163□V( )	0.016	18.0	6.5	13.5	18.5	15.0	10.0	0.80	
ECWH8183□V( )	0.018	18.0	7.0	13.5	18.5	15.0	10.0	0.80	
ECWH8203□V( )	0.020	18.0	7.0	14.0	19.0	15.0	10.0	0.80	
ECWH8223□V( )	0.022	18.0	7.5	14.5	19.5	15.0	10.0	0.80	
ECWH8243□V( )	0.024	18.0	7.5	14.5	19.5	15.0	10.0	0.80	
ECWH8273□V( )	0.027	18.0	8.0	15.0	20.0	15.0	10.0	0.80	
ECWH8303□V( )	0.030	18.0	8.5	15.0	20.0	15.0	10.0	0.80	
ECWH8333□V( )	0.033	23.0	6.5	15.0	20.0	20.0	15.0	0.80	
ECWH8363□V( )	0.036	23.0	7.0	15.5	20.5	20.0	15.0	0.80	
ECWH8393□V( )	0.039	23.0	7.0	15.5	20.5	20.0	15.0	0.80	
ECWH8433□V( )	0.043	23.0	7.5	16.0	21.0	20.0	15.0	0.80	
ECWH8473□V( )	0.047	23.0	7.5	16.0	21.0	20.0	15.0	0.80	
ECWH8513□V( )	0.051	23.0	8.0	16.5	21.5	20.0	15.0	0.80	
ECWH8563□V( )	0.056	23.0	8.0	16.5	21.5	20.0	15.0	0.80	
ECWH8623□V( )	0.062	23.0	8.5	17.0	22.0	20.0	15.0	0.80	
ECWH8683□V( )	0.068	23.0	9.0	17.5	22.5	20.0	15.0	0.80	
ECWH8753□V( )	0.075	23.0	9.5	17.5	22.5	20.0	15.0	0.80	
ECWH8823□V( )	0.082	23.0	9.5	18.0	23.0	20.0	15.0	0.80	
ECWH8913□V( )	0.091	23.0	10.0	19.0	24.0	20.0	15.0	0.80	
ECWH8104□V( )	0.10	23.0	10.5	19.5	24.5	20.0	15.0	0.80	

———— Suffix for lead crimped  
 ———— Cap. tol. code

Design, Specifications are subject to change without notice. Ask factory for technical specifications before purchase and/or use. Whenever a doubt about safety arises from this product, please inform us immediately for technical consultation without fail.

■ Rating & Dimensions

● Rated voltage : 1000 VDC. Capacitance tolerance :  $\pm 3\%$ (H),  $\pm 5\%$ (J)

Part No.	Cap. ( $\mu$ F)	Dimensions (mm)							Quantity Ammo 7.5 mm
		L <sub>max</sub>	T <sub>max</sub>	H <sub>max</sub>		F	S	$\phi$ d	
				Straight	Crimped lead	Straight	Crimped lead		
ECWH10102□V( )	0.0010	18.0	6.5	13.5	18.5	15.0	10.0	0.80	500
ECWH10112□V( )	0.0011	18.0	6.5	13.5	18.5	15.0	10.0	0.80	
ECWH10122□V( )	0.0012	18.0	7.0	13.5	18.5	15.0	10.0	0.80	
ECWH10132□V( )	0.0013	18.0	6.5	13.0	18.0	15.0	10.0	0.80	
ECWH10152□V( )	0.0015	18.0	6.5	13.5	18.5	15.0	10.0	0.80	
ECWH10162□V( )	0.0016	18.0	7.0	13.5	18.5	15.0	10.0	0.80	
ECWH10182□V( )	0.0018	18.0	7.0	14.0	19.0	15.0	10.0	0.80	
ECWH10202□V( )	0.0020	18.0	7.0	14.0	19.0	15.0	10.0	0.80	
ECWH10222□V( )	0.0022	18.0	6.5	13.5	18.5	15.0	10.0	0.80	
ECWH10242□V( )	0.0024	18.0	7.0	13.5	18.5	15.0	10.0	0.80	
ECWH10272□V( )	0.0027	18.0	7.0	14.0	19.0	15.0	10.0	0.80	
ECWH10302□V( )	0.0030	18.0	7.5	14.0	19.0	15.0	10.0	0.80	
ECWH10332□V( )	0.0033	18.0	7.5	14.5	19.5	15.0	10.0	0.80	
ECWH10362□V( )	0.0036	18.0	6.0	12.5	17.5	15.0	10.0	0.80	
ECWH10392□V( )	0.0039	18.0	6.0	12.5	17.5	15.0	10.0	0.80	
ECWH10432□V( )	0.0043	18.0	6.0	13.0	18.0	15.0	10.0	0.80	
ECWH10472□V( )	0.0047	18.0	6.0	13.0	18.0	15.0	10.0	0.80	
ECWH10512□V( )	0.0051	18.0	6.5	13.0	18.0	15.0	10.0	0.80	
ECWH10562□V( )	0.0056	18.0	6.5	13.5	18.5	15.0	10.0	0.80	
ECWH10622□V( )	0.0062	18.0	6.5	13.5	18.5	15.0	10.0	0.80	
ECWH10682□V( )	0.0068	18.0	7.0	13.5	18.5	15.0	10.0	0.80	
ECWH10752□V( )	0.0075	18.0	6.0	12.5	17.5	15.0	10.0	0.80	
ECWH10822□V( )	0.0082	18.0	6.0	12.5	17.5	15.0	10.0	0.80	
ECWH10912□V( )	0.0091	18.0	6.0	13.0	18.0	15.0	10.0	0.80	
ECWH10103□V( )	0.010	18.0	6.5	13.0	18.0	15.0	10.0	0.80	
ECWH10113□V( )	0.011	18.0	6.5	13.5	18.5	15.0	10.0	0.80	
ECWH10123□V( )	0.012	18.0	6.5	13.5	18.5	15.0	10.0	0.80	
ECWH10133□V( )	0.013	18.0	7.0	13.5	18.5	15.0	10.0	0.80	
ECWH10153□V( )	0.015	18.0	7.0	14.0	19.0	15.0	10.0	0.80	
ECWH10163□V( )	0.016	18.0	7.5	14.0	19.0	15.0	10.0	0.80	
ECWH10183□V( )	0.018	18.0	7.5	14.5	19.5	15.0	10.0	0.80	
ECWH10203□V( )	0.020	18.0	8.0	15.0	20.0	15.0	10.0	0.80	
ECWH10223□V( )	0.022	18.0	8.5	15.0	20.0	15.0	10.0	0.80	
ECWH10243□V( )	0.024	18.0	8.5	15.5	20.5	15.0	10.0	0.80	
ECWH10273□V( )	0.027	18.0	9.0	16.0	21.0	15.0	10.0	0.80	
ECWH10303□V( )	0.030	18.0	9.5	16.5	21.5	15.0	10.0	0.80	
ECWH10333□V( )	0.033	23.0	7.5	16.0	21.0	20.0	15.0	0.80	
ECWH10363□V( )	0.036	23.0	7.5	16.0	21.0	20.0	15.0	0.80	
ECWH10393□V( )	0.039	23.0	8.0	16.5	21.5	20.0	15.0	0.80	
ECWH10433□V( )	0.043	23.0	8.5	16.5	21.5	20.0	15.0	0.80	
ECWH10473□V( )	0.047	23.0	8.5	17.0	22.0	20.0	15.0	0.80	
ECWH10513□V( )	0.051	23.0	9.0	17.5	22.5	20.0	15.0	0.80	
ECWH10563□V( )	0.056	23.0	9.5	17.5	22.5	20.0	15.0	0.80	
ECWH10623□V( )	0.062	23.0	9.5	18.0	23.0	20.0	15.0	0.80	
ECWH10683□V( )	0.068	23.0	10.0	19.0	24.0	20.0	15.0	0.80	
ECWH10753□V( )	0.075	23.0	10.5	19.5	24.5	20.0	15.0	0.80	
ECWH10823□V( )	0.082	23.0	11.0	20.0	25.0	20.0	15.0	0.80	
ECWH10913□V( )	0.091	23.0	11.5	20.5	25.5	20.0	15.0	0.80	
ECWH10104□V( )	0.10	23.0	12.0	21.0	26.0	20.0	15.0	0.80	

↑ Suffix for lead crimped  
 ↑ Cap. tol. code

Design, Specifications are subject to change without notice. Ask factory for technical specifications before purchase and/or use.  
 Whenever a doubt about safety arises from this product, please inform us immediately for technical consultation without fail.

### ■ Rating & Dimensions

● Rated voltage : 1250 VDC Capacitance tolerance :  $\pm 3\%$ (H),  $\pm 5\%$ (J)

Part No.	Cap. ( $\mu$ F)	Dimensions (mm)							Quantity
		L <sup>max</sup>	T <sup>max</sup>	H <sup>max</sup>		F	S	$\phi$ d	Ammo 7.5 mm
				Straight	Crimped lead	Straight	Crimped lead		
ECWH12102□V( )	0.0010	18.0	6.5	13.5	18.5	15.0	10.0	0.80	500
ECWH12112□V( )	0.0011	18.0	6.5	13.5	18.5	15.0	10.0	0.80	
ECWH12122□V( )	0.0012	18.0	7.0	13.5	18.5	15.0	10.0	0.80	
ECWH12132□V( )	0.0013	18.0	6.5	13.0	18.0	15.0	10.0	0.80	
ECWH12152□V( )	0.0015	18.0	6.5	13.5	18.5	15.0	10.0	0.80	
ECWH12162□V( )	0.0016	18.0	7.0	13.5	18.5	15.0	10.0	0.80	
ECWH12182□V( )	0.0018	18.0	7.0	14.0	19.0	15.0	10.0	0.80	
ECWH12202□V( )	0.0020	18.0	7.0	14.0	19.0	15.0	10.0	0.80	
ECWH12222□V( )	0.0022	18.0	6.5	13.5	18.5	15.0	10.0	0.80	
ECWH12242□V( )	0.0024	18.0	7.0	13.5	18.5	15.0	10.0	0.80	
ECWH12272□V( )	0.0027	18.0	7.0	14.0	19.0	15.0	10.0	0.80	
ECWH12302□V( )	0.0030	18.0	7.5	14.0	19.0	15.0	10.0	0.80	
ECWH12332□V( )	0.0033	18.0	7.5	14.5	19.5	15.0	10.0	0.80	
ECWH12362□V( )	0.0036	18.0	6.0	12.5	17.5	15.0	10.0	0.80	
ECWH12392□V( )	0.0039	18.0	6.0	12.5	17.5	15.0	10.0	0.80	
ECWH12432□V( )	0.0043	18.0	6.0	13.0	18.0	15.0	10.0	0.80	
ECWH12472□V( )	0.0047	18.0	6.0	13.0	18.0	15.0	10.0	0.80	
ECWH12512□V( )	0.0051	18.0	6.5	13.0	18.0	15.0	10.0	0.80	
ECWH12562□V( )	0.0056	18.0	6.5	13.5	18.5	15.0	10.0	0.80	
ECWH12622□V( )	0.0062	18.0	6.5	13.5	18.5	15.0	10.0	0.80	
ECWH12682□V( )	0.0068	18.0	7.0	13.5	18.5	15.0	10.0	0.80	
ECWH12752□V( )	0.0075	18.0	7.0	14.0	19.0	15.0	10.0	0.80	
ECWH12822□V( )	0.0082	18.0	7.5	14.0	19.0	15.0	10.0	0.80	
ECWH12912□V( )	0.0091	18.0	7.5	14.5	19.5	15.0	10.0	0.80	
ECWH12103□V( )	0.010	18.0	8.0	15.0	20.0	15.0	10.0	0.80	400
ECWH12113□V( )	0.011	18.0	8.5	15.0	20.0	15.0	10.0	0.80	
ECWH12123□V( )	0.012	18.0	8.5	15.5	20.5	15.0	10.0	0.80	
ECWH12133□V( )	0.013	18.0	9.0	15.5	20.5	15.0	10.0	0.80	
ECWH12153□V( )	0.015	18.0	9.5	16.0	21.0	15.0	10.0	0.80	500
ECWH12163□V( )	0.016	23.0	7.5	16.0	21.0	20.0	15.0	0.80	
ECWH12183□V( )	0.018	23.0	7.5	16.0	21.0	20.0	15.0	0.80	400
ECWH12203□V( )	0.020	23.0	8.0	16.5	21.5	20.0	15.0	0.80	
ECWH12223□V( )	0.022	23.0	8.5	16.5	21.5	20.0	15.0	0.80	
ECWH12243□V( )	0.024	23.0	8.5	17.0	22.0	20.0	15.0	0.80	
ECWH12273□V( )	0.027	23.0	9.0	17.5	22.5	20.0	15.0	0.80	300
ECWH12303□V( )	0.030	23.0	9.5	18.0	23.0	20.0	15.0	0.80	
ECWH12333□V( )	0.033	23.0	10.0	18.5	23.5	20.0	15.0	0.80	
ECWH12363□V( )	0.036	23.0	10.0	19.0	24.0	20.0	15.0	0.80	
ECWH12393□V( )	0.039	23.0	10.5	19.5	24.5	20.0	15.0	0.80	—
ECWH12433□V( )	0.043	23.0	11.0	20.0	25.0	20.0	15.0	0.80	
ECWH12473□V( )	0.047	23.0	11.5	20.5	25.5	20.0	15.0	0.80	
ECWH12513□V( )	0.051	23.0	12.0	21.0	26.0	20.0	15.0	0.80	
ECWH12563□V( )	0.056	28.0	11.5	20.0	25.0	25.0	17.5	0.80	—
ECWH12623□V( )	0.062	28.0	12.0	21.0	26.0	25.0	17.5	0.80	
ECWH12683□V( )	0.068	28.0	12.5	21.5	26.5	25.0	17.5	0.80	
ECWH12753□V( )	0.075	28.0	13.5	22.0	27.0	25.0	17.5	0.80	
ECWH12823□V( )	0.082	28.0	14.0	22.5	27.5	25.0	17.5	0.80	
ECWH12913□V( )	0.091	28.0	14.5	23.0	28.0	25.0	17.5	0.80	
ECWH12104□V( )	0.10	28.0	15.5	24.0	29.0	25.0	17.5	0.80	

↑ Suffix for lead crimped  
 ↑ Cap. tol. code

Design, Specifications are subject to change without notice. Ask factory for technical specifications before purchase and/or use.  
 Whenever a doubt about safety arises from this product, please inform us immediately for technical consultation without fail.

### ■ Rating & Dimensions

● Rated voltage : 1600 VDC Capacitance tolerance :  $\pm 3\%$ (H),  $\pm 5\%$ (J)

Part No.	Cap. ( $\mu$ F)	Dimensions (mm)							Quantity Ammo 7.5 mm
		L <sub>max</sub>	T <sub>max</sub>	H <sub>max</sub>		F	S	$\phi$ d	
				Straight	Crimped lead	Straight	Crimped lead		
ECWH16102□V( )	0.0010	18.0	6.5	13.5	18.5	15.0	10.0	0.80	500
ECWH16112□V( )	0.0011	18.0	6.5	13.5	18.5	15.0	10.0	0.80	
ECWH16122□V( )	0.0012	18.0	7.0	13.5	18.5	15.0	10.0	0.80	
ECWH16132□V( )	0.0013	18.0	6.5	13.0	18.0	15.0	10.0	0.80	
ECWH16152□V( )	0.0015	18.0	6.5	13.5	18.5	15.0	10.0	0.80	
ECWH16162□V( )	0.0016	18.0	7.0	13.5	18.5	15.0	10.0	0.80	
ECWH16182□V( )	0.0018	18.0	7.0	14.0	19.0	15.0	10.0	0.80	
ECWH16202□V( )	0.0020	18.0	7.0	14.0	19.0	15.0	10.0	0.80	
ECWH16222□V( )	0.0022	18.0	6.5	13.5	18.5	15.0	10.0	0.80	
ECWH16242□V( )	0.0024	18.0	7.0	13.5	18.5	15.0	10.0	0.80	
ECWH16272□V( )	0.0027	18.0	7.0	14.0	19.0	15.0	10.0	0.80	400
ECWH16302□V( )	0.0030	18.0	7.5	14.0	19.0	15.0	10.0	0.80	
ECWH16332□V( )	0.0033	18.0	7.5	14.5	19.5	15.0	10.0	0.80	
ECWH16362□V( )	0.0036	18.0	7.0	13.5	18.5	15.0	10.0	0.80	
ECWH16392□V( )	0.0039	18.0	7.0	14.0	19.0	15.0	10.0	0.80	500
ECWH16432□V( )	0.0043	18.0	7.0	14.0	19.0	15.0	10.0	0.80	
ECWH16472□V( )	0.0047	23.0	6.5	14.5	19.5	20.0	15.0	0.80	
ECWH16512□V( )	0.0051	23.0	6.5	15.0	20.0	20.0	15.0	0.80	
ECWH16562□V( )	0.0056	23.0	6.5	15.0	20.0	20.0	15.0	0.80	
ECWH16622□V( )	0.0062	23.0	7.0	15.0	20.0	20.0	15.0	0.80	
ECWH16682□V( )	0.0068	23.0	7.0	15.5	20.5	20.0	15.0	0.80	400
ECWH16752□V( )	0.0075	23.0	7.5	15.5	20.5	20.0	15.0	0.80	
ECWH16822□V( )	0.0082	23.0	7.5	16.0	21.0	20.0	15.0	0.80	
ECWH16912□V( )	0.0091	23.0	8.0	16.0	21.0	20.0	15.0	0.80	
ECWH16103□V( )	0.010	23.0	8.0	16.5	21.5	20.0	15.0	0.80	300
ECWH16113□V( )	0.011	23.0	8.5	17.0	22.0	20.0	15.0	0.80	
ECWH16123□V( )	0.012	23.0	9.0	17.0	22.0	20.0	15.0	0.80	
ECWH16133□V( )	0.013	23.0	9.0	17.5	22.5	20.0	15.0	0.80	—
ECWH16153□V( )	0.015	23.0	9.5	18.0	23.0	20.0	15.0	0.80	
ECWH16163□V( )	0.016	23.0	10.0	18.5	23.5	20.0	15.0	0.80	
ECWH16183□V( )	0.018	23.0	10.5	19.5	24.5	20.0	15.0	0.80	
ECWH16203□V( )	0.020	23.0	11.0	20.0	25.0	20.0	15.0	0.80	
ECWH16223□V( )	0.022	28.0	9.5	18.0	23.0	25.0	17.5	0.80	
ECWH16243□V( )	0.024	28.0	10.0	18.5	23.5	25.0	17.5	0.80	
ECWH16273□V( )	0.027	28.0	10.5	19.5	24.5	25.0	17.5	0.80	
ECWH16303□V( )	0.030	28.0	11.0	20.0	25.0	25.0	17.5	0.80	
ECWH16333□V( )	0.033	28.0	11.5	20.5	25.5	25.0	17.5	0.80	
ECWH16363□V( )	0.036	28.0	12.5	21.5	26.5	25.0	17.5	0.80	
ECWH16393□V( )	0.039	28.0	13.5	22.0	27.0	25.0	17.5	0.80	
ECWH16433□V( )	0.043	28.0	14.5	22.5	27.5	25.0	17.5	0.80	
ECWH16473□V( )	0.047	28.0	15.0	23.5	28.5	25.0	17.5	0.80	
ECWH16513□V( )	0.051	28.0	15.5	24.0	29.0	25.0	17.5	0.80	
ECWH16563□V( )	0.056	28.0	16.0	24.5	29.5	25.0	17.5	0.80	

■ Rating & Dimensions

● Rated voltage : 2000 VDC Capacitance tolerance :  $\pm 3\%$ (H),  $\pm 5\%$ (J)

Part No.	Cap. ( $\mu$ F)	Dimensions (mm)							Quantity Ammo 7.5 mm
		L <sub>max</sub>	T <sub>max</sub>	H <sub>max</sub>		F	S	$\phi$ d	
				Straight	Crimped lead	Straight	Crimped lead		
ECWH20102□V( )	0.0010	18.0	6.5	13.5	18.5	15.0	10.0	0.80	500
ECWH20112□V( )	0.0011	18.0	6.5	13.5	18.5	15.0	10.0	0.80	
ECWH20122□V( )	0.0012	18.0	7.0	13.5	18.5	15.0	10.0	0.80	
ECWH20132□V( )	0.0013	18.0	7.0	14.0	19.0	15.0	10.0	0.80	
ECWH20152□V( )	0.0015	18.0	7.5	14.0	19.0	15.0	10.0	0.80	
ECWH20162□V( )	0.0016	18.0	7.5	14.5	19.5	15.0	10.0	0.80	400
ECWH20182□V( )	0.0018	18.0	8.0	14.5	19.5	15.0	10.0	0.80	
ECWH20202□V( )	0.0020	18.0	8.0	15.0	20.0	15.0	10.0	0.80	
ECWH20222□V( )	0.0022	18.0	8.5	15.0	20.0	15.0	10.0	0.80	
ECWH20242□V( )	0.0024	18.0	8.5	15.5	20.5	15.0	10.0	0.80	
ECWH20272□V( )	0.0027	18.0	9.0	16.0	21.0	15.0	10.0	0.80	300
ECWH20302□V( )	0.0030	18.0	9.5	16.0	21.0	15.0	10.0	0.80	400
ECWH20332□V( )	0.0033	18.0	8.5	15.5	20.5	15.0	10.0	0.80	
ECWH20362□V( )	0.0036	18.0	9.0	15.5	20.5	15.0	10.0	0.80	300
ECWH20392□V( )	0.0039	18.0	9.0	16.0	21.0	15.0	10.0	0.80	
ECWH20432□V( )	0.0043	18.0	9.5	16.0	21.0	15.0	10.0	0.80	
ECWH20472□V( )	0.0047	23.0	7.0	15.5	20.5	20.0	15.0	0.80	500
ECWH20512□V( )	0.0051	23.0	7.5	16.0	21.0	20.0	15.0	0.80	400
ECWH20562□V( )	0.0056	23.0	7.5	16.0	21.0	20.0	15.0	0.80	
ECWH20622□V( )	0.0062	23.0	8.0	16.5	21.5	20.0	15.0	0.80	
ECWH20682□V( )	0.0068	23.0	8.5	16.5	21.5	20.0	15.0	0.80	
ECWH20752□V( )	0.0075	23.0	9.5	18.0	23.0	20.0	15.0	0.80	
ECWH20822□V( )	0.0082	23.0	10.0	18.0	23.0	20.0	15.0	0.80	300
ECWH20912□V( )	0.0091	23.0	10.0	19.0	24.0	20.0	15.0	0.80	
ECWH20103□V( )	0.010	23.0	10.5	19.5	24.5	20.0	15.0	0.80	
ECWH20113□V( )	0.011	23.0	11.0	20.0	25.0	20.0	15.0	0.80	
ECWH20123□V( )	0.012	23.0	11.5	20.5	25.5	20.0	15.0	0.80	
ECWH20133□V( )	0.013	23.0	12.0	21.0	26.0	20.0	15.0	0.80	
ECWH20153□V( )	0.015	23.0	12.0	21.5	26.5	20.0	15.0	0.80	

Suffix for lead crimped  
 Cap. tol. code